



ATLAS COPCO BOLT TIGHTENING SOLUTIONS

We offer a complete and dynamic range of bolting tools including hydraulic bolt tensioners and hydraulic torque wrenches, as well as pneumatic and electric transducerized nutrunners.

Atlas Copco

BOLTING TOOLS FOR CRUCIAL BOLTING APPLICATIONS.

You now have one reliable partner that gives you access to a complete line of bolt tightening tools to boost your productivity and minimize downtime. Whether using our custom-designed hydraulic bolt tensioner, our robust and accurate hydraulic torque wrench, or our industry-leading electric or pneumatic nutrunners, we bring the best product and support available to you.

We are passionate about bringing solutions to our bolt tightening challenges. This is why we are in this business. We do believe in tight connections through technology and people.

UPSTREAM

We have the bolting tools needed for applications in the upstream sector. Customers in this segment search for potential underground or underwater crude oil and natural gas fields, drilling of exploratory wells. Customers in this segment also perform drilling and operating the wells that recover and bring the crude oil and/or raw natural gas to the surface.



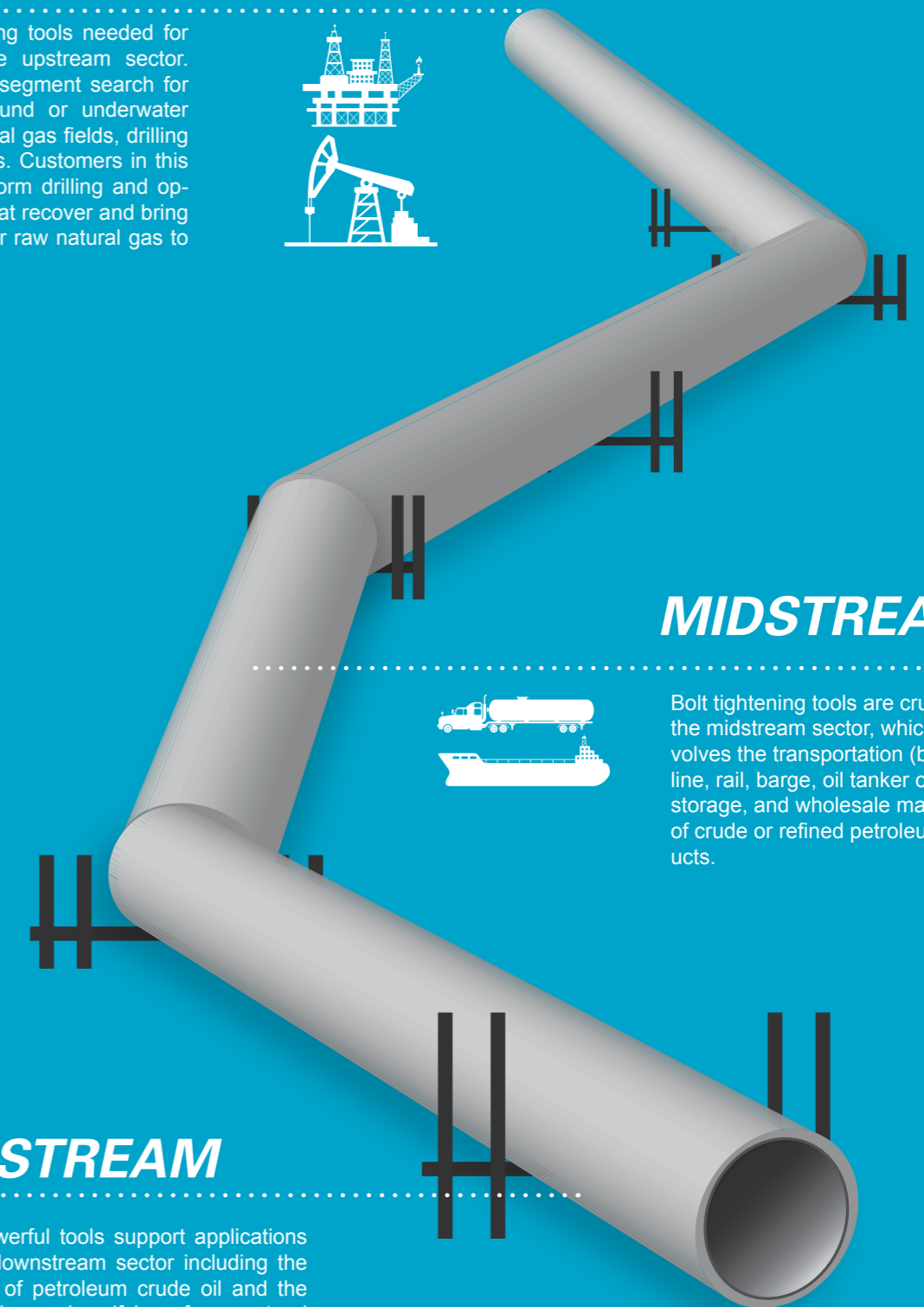
MIDSTREAM

Bolt tightening tools are crucial to the midstream sector, which involves the transportation (by pipeline, rail, barge, oil tanker or truck), storage, and wholesale marketing of crude or refined petroleum products.



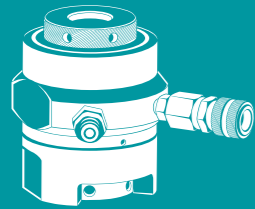
DOWNSTREAM

Our powerful tools support applications in the downstream sector including the refining of petroleum crude oil and the processing and purifying of raw natural gas, as well as the marketing and distribution of products derived from crude oil and natural gas.



BOLT TIGHTENING TOOL TYPE INTRODUCTION

TABLE OF CONTENTS

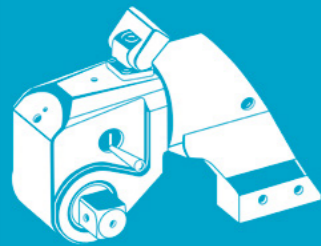


TENTEC HYDRAULIC BOLT TENSIONING SYSTEMS

Available in standard or custom models, to suit any application. Works with hand, air or electrical pump types.

6

Tentec CTST Topside	8
Tentec Compact 8 Subsea	14
Tentec WTB Wind Turbine	18
Tentec Hydraulic Nuts	22
Ancillary Products for Tentec Bolt Tensioners	26

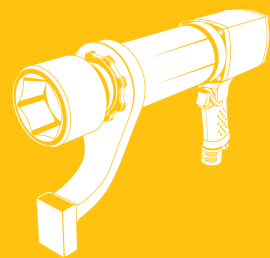


HYDRAULIC TORQUE WRENCHES

Available in standard or low profile models, this is the cornerstone for high torque applications. Works with 10,000 psi hydraulic pump.

28

Hydraulic Torque Wrenches	28
Square Drive Hydraulic Torque Wrench	30
Low Profile Hydraulic Torque Wrench	44
Extreme Access Spanner	54
Hydraulic Torque Wrench Pumps	72
Impact Power Sockets	74

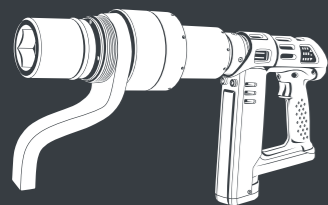


PNEUMATIC NUTRUNNER

Non-impact torquing power, in a lightweight and ergonomic design. Uses your air line and the Atlas Copco FRL pressure unit.

84

RTP Pneumatic Nutrunner Overview	88
LTP Shut-Off	92



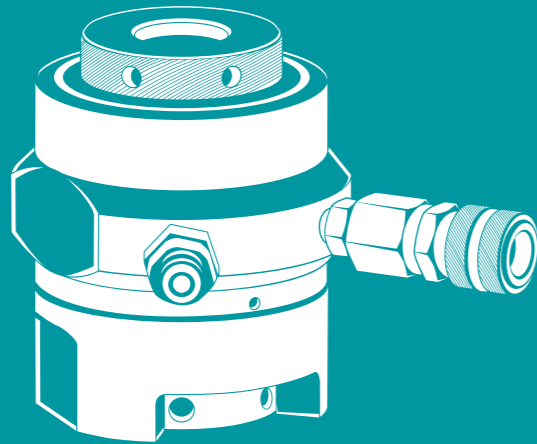
ELECTRIC TRANSDUCERIZED NUTRUNNER

The Tensor Revo DC nutrunner provides easy positioning and access to the bolt thanks to a 360° gear swivel – unique in a tool with an integrated torque transducer.

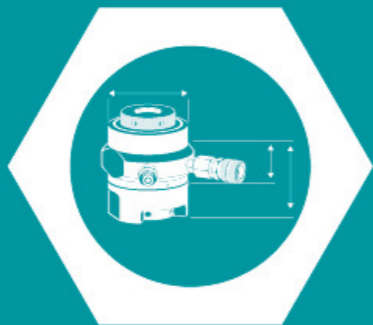
96

Electric Transducerized Nutrunner	98
Revo Accessories	101
Controllers And Software For Tensor Revo	102

TENTEC HYDRAULIC BOLT TENSIONING SYSTEMS



REACTION FREE
OPERATION



CUSTOM
ENGINEERING



SIMULTANEOUS
TENSIONING



TENTEC CTST

TOPSIDE HYDRAULIC BOLT TENSIONER

The CTST range of topside bolt tensioning tools comprises 6 base tools covering bolt sizes from 3/4" to 4" (M20 to M100). The tools are designed to fit on to most ANSI B16.5, ANSI B16.47 Series 1, MSS-SP44, API-6A and API-17D flanges. Each base tool can be converted for use with different bolt sizes using a conversion kit.

LONG RAM STROKE
15mm piston/ram stroke capability on models CTST 02 - CTST 06.

RELIABLE SEALS
Proven seal technology ensures many 1000's of tool pressure cycles.

HYDRAULIC CONNECTIONS
User configurable quick release connections.

VERSATILE
Detachable and Interchangeable bridge component.

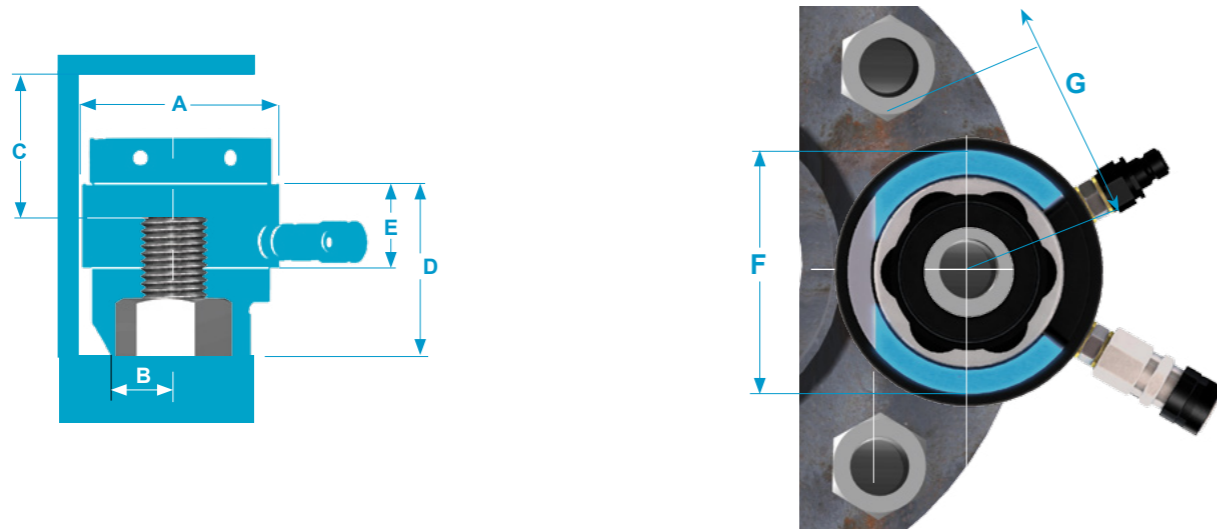
THREAD INSERT
Contains a matching female thread to the bolt being tensioned.

LOAD CELL ASSEMBLY
The load generating part of the tensioner.

BRIDGE
Part of the conversion kit.

NUT ROTATING SOCKET (NRS)
Fits around the bolted joint nut to allow for easy rotation.

CTST BOLT TENSIONERS



Technical Specifications

Maximum Working Pressure = 1500bar

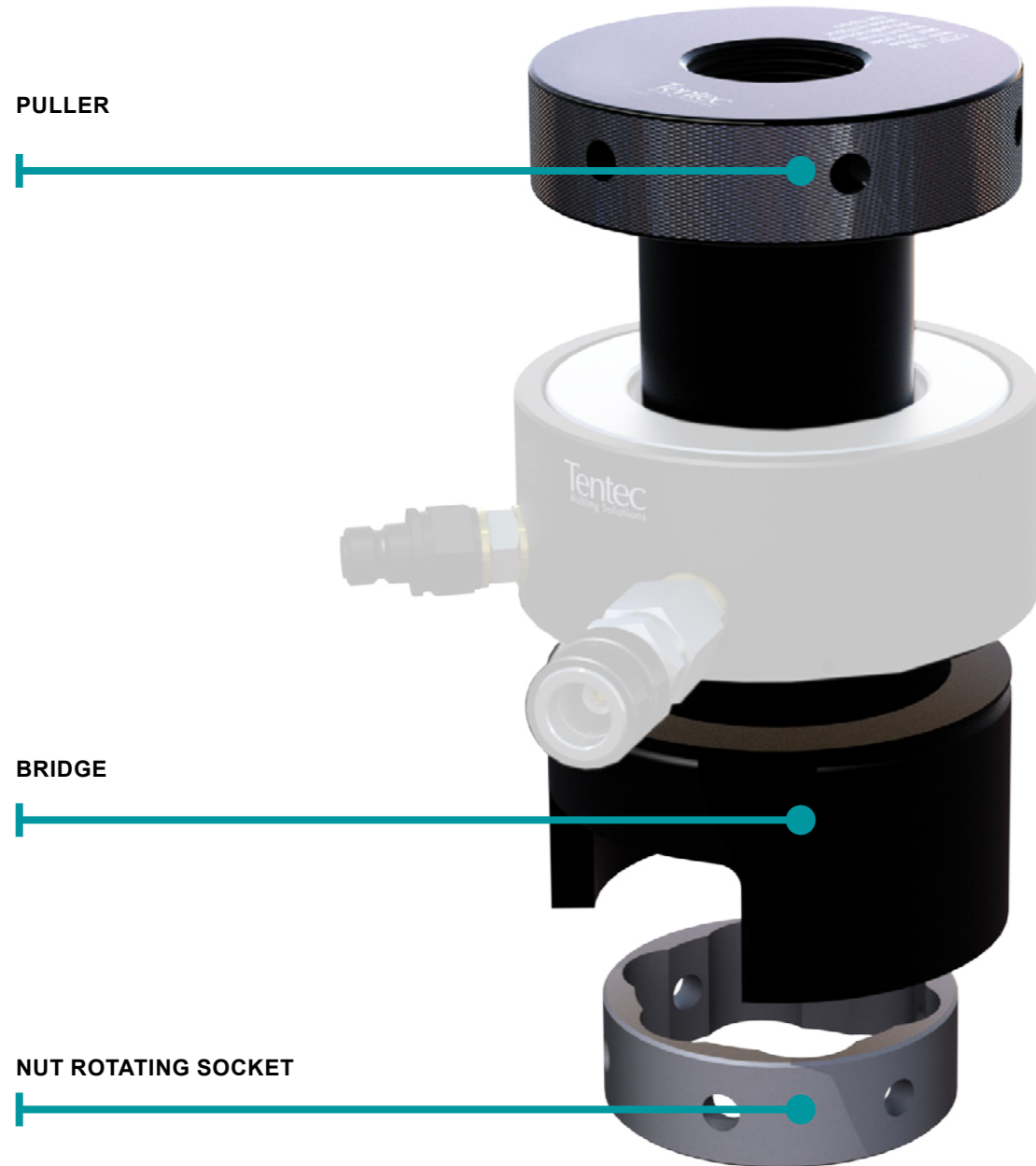
Tool Ident	Part No	Thread Size		Part No	Bolt Load		Ram Area		Stroke	Weight	Dimensions (mm)							Metric Conversion Kit		Inch Conversion Kits	
		Imperial	Inch		mm	Metric	Kn	Ton			In ²	mm ²	A	B	C	D	E	F	G		
1	HTT.9551.0750	3/4"-10UNC	M20x2.5	HTT.9551.M20	227.81	22.86	2.354	1518.76	10	2.0	73.50	21.0	67.00	71.0	45	62	49.5	HTT.9551.521	HTT.9551.536		
	HTT.9551.0875	7/8"-9UNC	M22x2.5	HTT.9551.M22						1.9		24.0	64.00	71.0	63	53	HTT.9551.523	HTT.9551.580			
	HTT.9551.1000	1"-8UN	M24x3	HTT.9551.M24						1.9		24.0	69.00	78.0	69	58.5	HTT.9551.525	HTT.9551.502			
	HTT.9551.1125	1.1/8"-8UN	M27x3	HTT.9551.M27						1.9		24.0	66.00	79.0	74	63.5	HTT.9551.528	HTT.9551.520			
2	HTT.9552.1125	1.1/8"-8UN	M27x3	HTT.9552.M27	443.00	44.46	4.578	2953.69	15	4.8	102	27.0	85.50	92.0	54	82	67.5	HTT.9552.528	HTT.9552.520		
			M30x3.5	HTT.9552.M30						4.9		32.0	85.00	93.0	85	69	HTT.9552.532				
	HTT.9552.1250	1.1/4"-8UN	M33x3.5	HTT.9552.M33						4.6		31.0	84.00	95.0	85	72	HTT.9552.534	HTT.9552.516			
	HTT.9552.1375	1.3/8"-8UN	M36x4	HTT.9552.M36						4.6		34.0	84.00	98.0	91	78	HTT.9552.537	HTT.9552.540			
HTT.9552.1500	1.1/2"-8UN	M39x4	HTT.9552.M39						4.7		36.5	82.00	100.0	90	80	HTT.9552.514	HTT.9552.511				
3	HTT.9553.1500	1.1/2"-8UN	M39x4	HTT.9553.M39	810.85	81.38	8.379	5405.70	15	9.5	133	36.5	98.00	109.0	56	97	83.5	HTT.9553.540	HTT.9553.514		
	HTT.9553.1625	1.5/8"-8UN	M42x4.5	HTT.9553.M42						9.0		37.5	93.00	107.0	110	92.5	HTT.9553.543	HTT.9553.516			
	HTT.9553.1750	1.3/4"-8UN	M45x4.5	HTT.9553.M45						9.3		40.5	98.50	116.0	115	98	HTT.9553.546	HTT.9553.536			
	HTT.9553.1875	1.7/8"-8UN	M48x5	HTT.9553.M48						9.0		42.5	95.00	116.0	116	101	HTT.9553.549	HTT.9553.580			
HTT.9553.2000	2"-8UN	M52x5	HTT.9553.M52						8.6		50.0	93.50	117.0	120	106	HTT.9553.553	HTT.9553.502				
4	HTT.9554.1875	1.7/8"-8UN	M48x5	HTT.9554.M48	1273.16	127.78	13.159	8489.96	15	16.1	163	43.5	106.00	118.0	57	130	108	HTT.9554.549	HTT.9554.580		
	HTT.9554.2000	2"-8UN	M52x5	HTT.9554.M52						15.7		46.0	102.50	117.0	124	108	HTT.9554.553	HTT.9554.502			
	HTT.9554.2250	2.1/4"-8UN	M56x5.5	HTT.9554.M56						15.8		55.0	103.00	123.0	134	118.5	HTT.9554.557	HTT.9554.516			
			M60x5.5	HTT.9554.M60							18.3		54.0	121.50	145.5	150	127	HTT.9554.562			
HTT.9554.2500	2.1/2"-8UN	M64x6	HTT.9554.M64						15.1		58.0	102.50	130.0	147	130.5	HTT.9554.568	HTT.9554.511				
5	HTT.9555.2500	2.1/2"-8UN	M64x6	HTT.9555.M64	1828.99	183.56	18.905	12196.45	15	22.7	193	64.0	107.50	133.0	60	147	130.5	HTT.9555.565	HTT.9555.514		
			M68x6	HTT.9555.M68						23.6		80.0	111.00	141.0	160	138	HTT.9555.570				
	HTT.9555.2750	2.3/4"-8UN	M72x6	HTT.9555.M72						24.7		72.0	115.00	147.0	161	143	HTT.9555.573	HTT.9555.536			
HTT.9555.3000	3"-8UN	M76x6	HTT.9555.M76						22.2		77.0	108.00	146.0	170	153	HTT.9555.577	HTT.9555.502				
6	HTT.9556.3000	3"-8UN	M76x6	HTT.9556.M76	2643.43	265.30	27.323	17627.48	15	38.5	233	77.0	120.00	153.0	64	170	153	HTT.9556.577	HTT.9556.502		
			M80x6	HTT.9556.M80						38.3		78.0	117.00	154.0	178	155.5	HTT.9556.582				
	HTT.9556.3250	3.1/4"-8UN	M85x6	HTT.9556.M85						38.1		78.0	114.00	154.0	182	165.5	HTT.9556.586	HTT.9556.516			
	HTT.9556.3500	3.1/2"-8UN	M90x6	HTT.9556.M90						37.0		86.0	114.00	160.0	191	174.5	HTT.9556.591	HTT.9556.511			
	HTT.9556.3750	3.3/4"-8UN	M95x6	HTT.9556.M95						37.0		99.0	116.00	168.0	210	189.5	HTT.9556.596	HTT.9556.536			
HTT.9556.4000	4"-8UN	M100x6	HTT.9556.M100						36.4		105.0	116.00	174.0	220	200	HTT.9556.501	HTT.9556.542				

CTST ORDERING NUMBERS

Item	Description	Ordering no.	Item	Description	Ordering no.
HTT.9551.000A	CTST No.1 Loadcell	8434 2200 69	HTT.9554.178.A	1.7/8" CTST Tensioner	8434 2201 00
HTT.9551.034.A	3/4" CTST Tensioner	8434 2200 70	HTT.9554.200.A	2" CTST Tensioner	8434 2201 01
HTT.9551.020.A	M20 CTST Tensioner	8434 2200 71	HTT.9554.212.A	2.1/2" CTST Tensioner	8434 2201 02
HTT.9551.078.A	7/8" CTST Tensioner	8434 2200 72	HTT.9554.048.A	M48 CTST Tensioner	8434 2201 03
HTT.9551.022.A	M22 CTST Tensioner	8434 2200 73	HTT.9554.214A	2.1/4" CTST Tensioner	8434 2201 04
HTT.9551.100.A	1" CTST Tensioner	8434 2200 74	HTT.9554.052.A	M52 CTST Tensioner	8434 2201 05
HTT.9551.024.A	M24 CTST Tensioner	8434 2200 75	HTT.9554.056.A	M56 CTST Tensioner	8434 2201 06
HTT.9551.118.A	1.1/8" CTST Tensioner	8434 2200 76	HTT.9554.060.A	M60 CTST Tensioner	8434 2201 07
HTT.9551.027.A	M27 CTST Tensioner	8434 2200 77	HTT.9554.064.A	M64 CTST Tensioner	8434 2201 08
HTT.9551.003.A	CTST No.1 Spare Seal Kit	4222 2700 26	HTT.9554.003.A	CTST No.4 Spare Seal Kit	4222 2700 29
HTT.9552.000A	CTST No.2 Loadcell	8434 2200 78	HTT.9555.000A	CTST No.5 Loadcell	8434 2201 09
HTT.9552.118.A	1.1/8" CTST Tensioner	8434 2200 79	HTT.9555.212.A	2.1/2" CTST Tensioner	8434 2201 10
HTT.9552.027.A	M27 CTST Tensioner	8434 2200 80	HTT.9555.234.A	2.3/4" CTST Tensioner	8434 2201 11
HTT.9552.114A	1.1/4" CTST Tensioner	8434 2200 81	HTT.9555.300.A	3" CTST Tensioner	8434 2201 12
HTT.9552.030.A	M30 CTST Tensioner	8434 2200 82	HTT.9555.064.A	M64 CTST Tensioner	8434 2201 13
HTT.9552.033.A	M33 CTST Tensioner	8434 2200 83	HTT.9555.068.A	M68 CTST Tensioner	8434 2201 14
HTT.9552.138.A	1.3/8" CTST Tensioner	8434 2200 84	HTT.9555.072.A	M72 CTST Tensioner	8434 2201 15
HTT.9552.036.A	M36 CTST Tensioner	8434 2200 85	HTT.9555.076.A	M76 CTST Tensioner	8434 2201 16
HTT.9552.112.A	1.1/2" CTST Tensioner	8434 2200 86	HTT.9555.003.A	CTST No.5 Spare Seal Kit	4222 2700 30
HTT.9552.039.A	M39 CTST Tensioner	8434 2200 87	HTT.9556.000A	CTST No.6 Loadcell	8434 2201 24
HTT.9552.003.A	CTST No.2 Spare Seal Kit	4222 2700 27	HTT.9556.314.A	3.1/4" CTST Tensioner	8434 2201 25
HTT.9553.000A	CTST No.3 Loadcell	8434 2200 88	HTT.9556.300.A	3" CTST Tensioner	8434 2201 26
HTT.9553.112.A	1.1/2" CTST Tensioner	8434 2200 89	HTT.9556.312.A	3.1/2" CTST Tensioner	8434 2201 27
HTT.9553.158.A	1.5/8" CTST Tensioner	8434 2200 90	HTT.9556.334.A	3.3/4" CTST Tensioner	8434 2201 28
HTT.9553.134.A	1.3/4" CTST Tensioner	8434 2200 91	HTT.9556.400.A	4" CTST Tensioner	8434 2201 29
HTT.9553.178.A	1.7/8" CTST Tensioner	8434 2200 92	HTT.9556.076.A	M76 CTST Tensioner	8434 2201 30
HTT.9553.200.A	2" CTST Tensioner	8434 2200 93	HTT.9556.080.A	M80 CTST Tensioner	8434 2201 31
HTT.9553.039.A	M39 CTST Tensioner	8434 2200 94	HTT.9556.085.A	M85 CTST Tensioner	8434 2201 32
HTT.9553.042.A	M42 CTST Tensioner	8434 2200 95	HTT.9556.090.A	M90 CTST Tensioner	8434 2201 33
HTT.9553.045.A	M45 CTST Tensioner	8434 2200 96	HTT.9556.095.A	M95 CTST Tensioner	8434 2201 34
HTT.9553.048.A	M48 CTST Tensioner	8434 2200 97	HTT.9556.100.A	M100 CTST Tensioner	8434 2201 35
HTT.9553.052.A	M52 CTST Tensioner	8434 2200 98	HTT.9556.003.A	CTST No.6 Spare Seal Kit	4222 2700 31
HTT.9553.003.A	CTST No.3 Spare Seal Kit	4222 2700 28			
HTT.9554.000A	CTST No.4 Loadcell	8434 2200 99			

CTST CONVERSION KITS

Conversion Kits offer a very economical way to expand your inventory of bolt tensioning tools. Kits are available to convert a CTST tensioner to suit an alternative bolt size within its size range. Kits consist of three items: 1) Puller, 2) Bridge and 3) Nut Rotating Socket.



CTST CONVERSION KIT ORDERING NUMBERS

Item	Description	Ordering No.
HTT.9551.536.A	3/4" Conversion Kit (Insert/Bridge/Nut Socket)	4222 2600 01
HTT.9551.521.A	M20 Conversion Kit (Insert/Bridge/Nut Socket)	4222 2600 02
HTT.9551.580.A	7/8" Conversion Kit (Insert/Bridge/Nut Socket)	4222 2600 03
HTT.9551.523.A	M22 Conversion Kit (Insert/Bridge/Nut Socket)	4222 2600 04
HTT.9551.502.A	1" Conversion Kit (Insert/Bridge/Nut Socket)	4222 2600 05
HTT.9551.525.A	M24 Conversion Kit (Insert/Bridge/Nut Socket)	4222 2600 06
HTT.9551.520.A	1.1/8" Conversion Kit (Insert/Bridge/Nut Socket)	4222 2600 07
HTT.9551.528.A	M27 Conversion Kit (Insert/Bridge/Nut Socket)	4222 2600 08
HTT.9552.516.A	1.1/4" Conversion Kit (Insert/Bridge/Nut Socket)	4222 2600 09
HTT.9552.528.A	M27 Conversion Kit (Insert/Bridge/Nut Socket)	4222 2600 10
HTT.9552.532.A	M30 Conversion Kit (Insert/Bridge/Nut Socket)	4222 2600 11
HTT.9552.520.A	1.1/8" Conversion Kit (Insert/Bridge/Nut Socket)	4222 2600 12
HTT.9552.534.A	M33 Conversion Kit (Insert/Bridge/Nut Socket)	4222 2600 13
HTT.9552.540.A	1.3/8" Conversion Kit (Insert/Bridge/Nut Socket)	4222 2600 14
HTT.9552.537.A	M36 Conversion Kit (Insert/Bridge/Nut Socket)	4222 2600 15
HTT.9552.511.A	1.1/2" Conversion Kit (Insert/Bridge/Nut Socket)	4222 2600 16
HTT.9552.514.A	M39 Conversion Kit (Insert/Bridge/Nut Socket)	4222 2600 17
HTT.9553.514.A	1.1/2" Conversion Kit (Insert/Bridge/Nut Socket)	4222 2600 18
HTT.9553.540.A	M39 Conversion Kit (Insert/Bridge/Nut Socket)	4222 2600 19
HTT.9553.516.A	1.5/8" Conversion Kit (Insert/Bridge/Nut Socket)	4222 2600 20
HTT.9553.543.A	M42 Conversion Kit (Insert/Bridge/Nut Socket)	4222 2600 21
HTT.9553.536.A	1.3/4" Conversion Kit (Insert/Bridge/Nut Socket)	4222 2600 22
HTT.9553.546.A	M45 Conversion Kit (Insert/Bridge/Nut Socket)	4222 2600 23
HTT.9553.580.A	1.7/8" Conversion Kit (Insert/Bridge/Nut Socket)	4222 2600 24
HTT.9553.549.A	M48 Conversion Kit (Insert/Bridge/Nut Socket)	4222 2600 25
HTT.9553.502.A	2" Conversion Kit (Insert/Bridge/Nut Socket)	4222 2600 26
HTT.9553.553.A	M52 Conversion Kit (Insert/Bridge/Nut Socket)	4222 2600 27

Item	Description	Ordering No.
HTT.9554.580.A	1.7/8" Conversion Kit (Insert/Bridge/Nut Socket)	4222 2600 28
HTT.9554.549.A	M48 Conversion Kit (Insert/Bridge/Nut Socket)	4222 2600 29
HTT.9554.502.A	2" Conversion Kit (Insert/Bridge/Nut Socket)	4222 2600 30
HTT.9554.553.A	M52 Conversion Kit (Insert/Bridge/Nut Socket)	4222 2600 31
HTT.9554.516.A	2.1/4" Conversion Kit (Insert/Bridge/Nut Socket)	4222 2600 32
HTT.9554.557.A	M56 Conversion Kit (Insert/Bridge/Nut Socket)	4222 2600 33
HTT.9554.562.A	M60 Conversion Kit (Insert/Bridge/Nut Socket)	4222 2600 34
HTT.9554.511.A	2.1/2" Conversion Kit (Insert/Bridge/Nut Socket)	4222 2600 35
HTT.9554.565.A	M64 Conversion Kit (Insert/Bridge/Nut Socket)	4222 2600 36
HTT.9555.514.A	2.1/2" Conversion Kit (Insert/Bridge/Nut Socket)	8434 2201 17
HTT.9555.565.A	M64 Conversion Kit (Insert/Bridge/Nut Socket)	8434 2201 18
HTT.9555.570.A	M68 Conversion Kit (Insert/Bridge/Nut Socket)	8434 2201 19
HTT.9555.536.A	2.3/4" Conversion Kit (Insert/Bridge/Nut Socket)	8434 2201 20
HTT.9555.573.A	M72 Conversion Kit (Insert/Bridge/Nut Socket)	8434 2201 21
HTT.9555.502.A	3" Conversion Kit (Insert/Bridge/Nut Socket)	8434 2201 22
HTT.9555.577.A	M76 Conversion Kit (Insert/Bridge/Nut Socket)	8434 2201 23
HTT.9556.502.A	3" Conversion Kit (Insert/Bridge/Nut Socket)	4222 2600 37
HTT.9556.577.A	M76 Conversion Kit (Insert/Bridge/Nut Socket)	4222 2600 38
HTT.9556.582.A	M80 Conversion Kit (Insert/Bridge/Nut Socket)	4222 2600 39
HTT.9556.516.A	3.1/4" Conversion Kit (Insert/Bridge/Nut Socket)	4222 2600 40
HTT.9556.586.A	M85 Conversion Kit (Insert/Bridge/Nut Socket)	4222 2600 41
HTT.9556.511.A	3.1/2" Conversion Kit (Insert/Bridge/Nut Socket)	4222 2600 42
HTT.9556.591.A	M90 Conversion Kit (Insert/Bridge/Nut Socket)	4222 2600 43
HTT.9556.536.A	3.3/4" Conversion Kit (Insert/Bridge/Nut Socket)	4222 2600 44
HTT.9556.596.A	M95 Conversion Kit (Insert/Bridge/Nut Socket)	4222 2600 45
HTT.9556.542.A	4" Conversion Kit (Insert/Bridge/Nut Socket)	4222 2600 46
HTT.9556.501.A	M100 Conversion Kit (Insert/Bridge/Nut Socket)	4222 2600 47

TENTEC COMPACT 8

SUBSEA HYDRAULIC BOLTTENSIONER

The COMPACT-8 range of subsea bolt tensioning tools brings a new generation of bolting solutions. Comprising just 8 bolt tensioning tools, the COMPACT-8 series is capable of tensioning most standard flanges and Compact flanges. The COMPACT-8 series is made from high strength stainless steel which greatly reduces maintenance work to a minimum after subsea use.

RELEASE BUTTON
For rapid speed of use.

SPLIT REACTION NUTS
For rapid speed of fit.

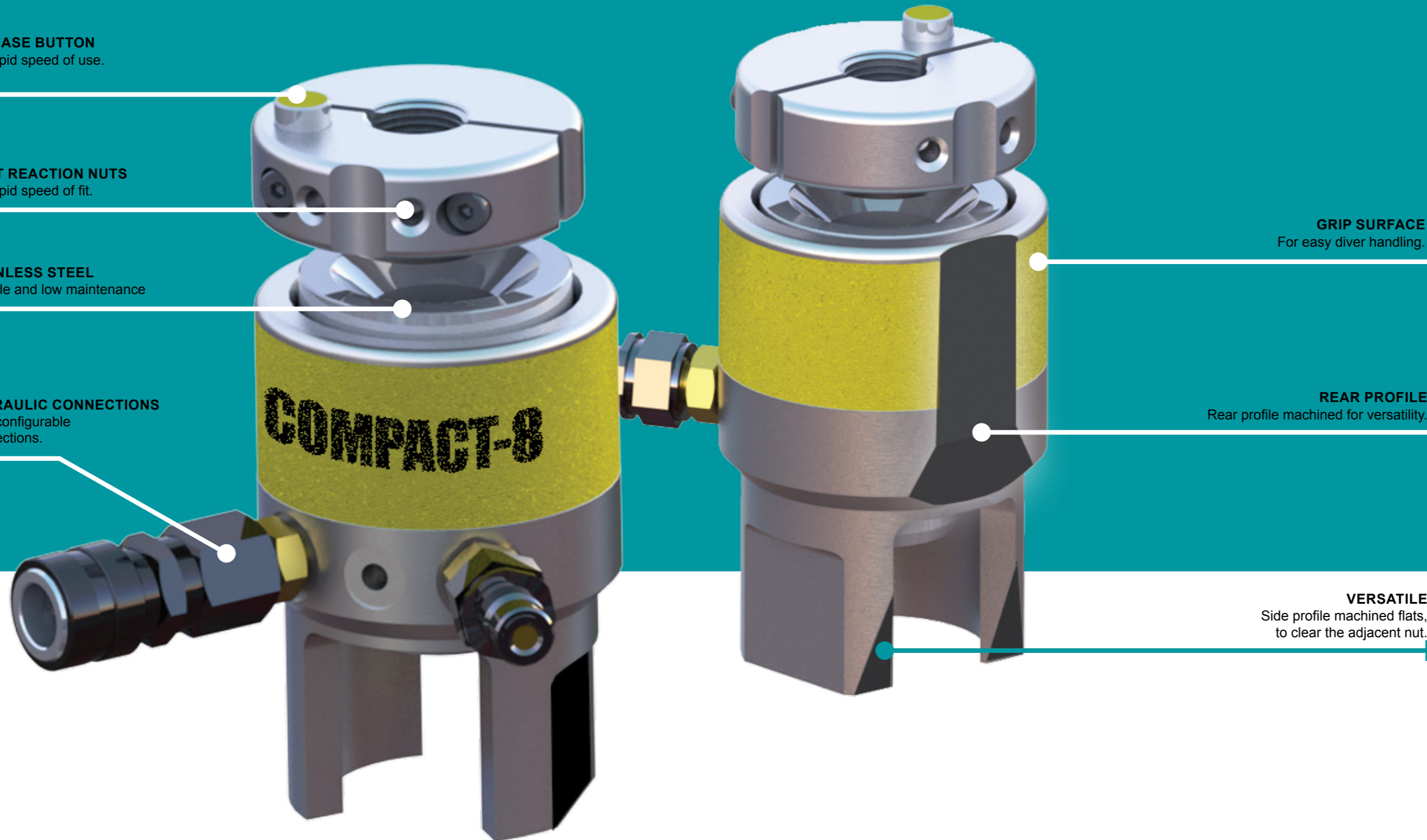
STAINLESS STEEL
Durable and low maintenance

HYDRAULIC CONNECTIONS
User configurable
Connections.

GRIP SURFACE
For easy diver handling.

REAR PROFILE
Rear profile machined for versatility.

VERSATILE
Side profile machined flats,
to clear the adjacent nut.

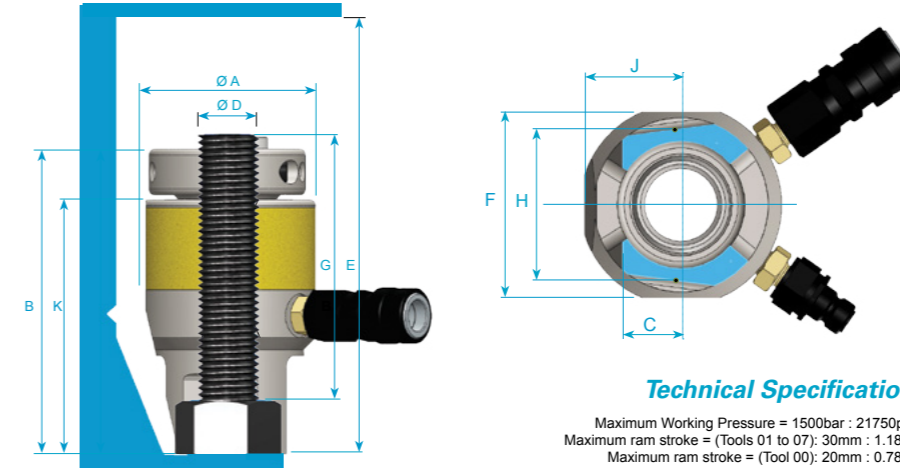


Tentec Compact 8
Tensioner Datasheet

COMPACT 8 TECHNICAL DATA

Model	Bolt Dia D Inch	Thread Pitch	Tool Dia A mm	Side Dia F mm	Tool Height B mm	Radial Dim'n C mm	Max Initial Bolt Load kN	Hyd Area mm ²	Ram Stroke mm	Extra Stud Length G mm	Headroom Dimension E mm	AF H mm	Radial Dim'n J mm	Dim'n K mm
C8-00	0.75	UNC	66.0	66.0	123	20	190.21	1268.420	20	113.5	214.5	50.2	31.6	97.00
	0.875	UNC	66.0	66.0	123	20	190.21	1268.420	20	110.3	214.5	50.2	31.6	97.00
C8-01	1	8-UN	87.0	87.0	153	25	328.87	2193.020	30	137.1	270.5	65	41.5	127.00
	1.125	8-UN	87.0	87.0	153	25	328.87	2193.020	30	134.0	270.5	65	41.5	127.00
C8-02	1.25	8-UN	104.5	104.5	165	28	514.84	3433.170	30	142.8	286.5	82.5	50.15	135.00
	1.375	8-UN	104.5	104.5	165	28	514.84	3433.170	30	139.6	286.5	82.5	50.15	135.00
C8-03	1.5	8-UN	123.1	118.3	184.5	35	746.70	4979.300	30	155.9	321.5	90	59.1	150.50
	1.625	8-UN	123.1	118.3	184.5	35	746.70	4979.300	30	152.8	321.5	90	59.1	150.50
C8-04	1.75	8-UN	150.0	143.5	210.75	48	1177.31	7850.800	30	175.8	365.0	110	71.7	169.75
	1.875	8-UN	150.0	143.5	210.75	48	1177.31	7850.800	30	172.7	365.0	110	71.7	169.75
	2	8-UN	150.0	143.5	210.75	48	1177.31	7850.800	30	169.5	365.0	110	71.7	169.75
C8-05	2.25	8-UN	182.5	174.3	235.75	59	1904.04	12696.940	30	188.1	393.0	136	87.1	179.75
	2.5	8-UN	182.5	174.3	235.75	59	1904.04	12696.940	30	181.8	393.0	136	87.1	179.75
C8-06	2.75	8-UN	210.0	210.0	259.75	65	2542.11	16951.840	30	199.4	432.0	163.5	105	199.75
	3	8-UN	210.0	210.0	259.75	65	2542.11	16951.840	30	193.1	432.0	163.5	105	199.75
C8-07	3.25	8-UN	258.1	258.1	302.8	85	4059.32	27069.190	30	229.8	492.6	204	129	232.25
	3.5	8-UN	258.1	258.1	302.8	85	4059.32	27069.190	30	223.4	492.6	204	129	232.25
	3.75	8-UN	258.1	258.1	302.8	85	4059.32	27069.190	30	217.1	492.6	204	129	232.25
Metric Threads														
C8-00	20	2.5	66.0	66.0	123	20	190.21	1268.420	20	110.5	212.5	50.2	31.6	97.00
	22	2.5	66.0	66.0	123	20	190.21	1268.420	20	108.5	212.5	50.2	31.6	97.00
C8-01	24	3	87.0	87.0	153	25	328.87	2193.020	30	138	270	65	41.5	127.00
	27	3	87.0	87.0	153	25	328.87	2193.020	30	135	270	65	41.5	127.00
	30	3.5	87.0	87.0	153	25	328.87	2193.020	30	133.5	271.5	65	41.5	127.00
C8-02	33	3.5	104.5	104.5	165	28	514.84	3433.170	30	142.5	287.5	82.5	50.15	135.00
	36	4	104.5	104.5	165	28	514.84	3433.170	30	141	289	82.5	50.15	135.00
C8-03	39	4	123.1	118.3	184.5	35	746.70	4979.300	30	157.5	324	90	59.1	150.50
	42	4.5	123.1	118.3	184.5	35	746.70	4979.300	30	156	325.5	90	59.1	150.50
C8-04	45	4.5	150.0	143.5	210.8	48	1177.31	7850.800	30	179.25	369	110	71.7	169.75
	48	5	150.0	143.5	210.8	48	1177.31	7850.800	30	177.75	370.5	110	71.7	169.75
	52	5	150.0	143.5	210.8	48	1177.31	7850.800	30	173.75	370.5	110	71.7	169.75
C8-05	56	5.5	182.5	174.3	235.8	59	1904.04	12696.940	30	196.25	400	136	87.1	179.75
	60	5.5	182.5	174.3	235.8	59	1904.04	12696.940	30	192.25	400	136	87.1	179.75
	64	6	182.5	174.3	235.8	59	1904.04	12696.940	30	189.75	401.5	136	87.1	179.75
C8-06	68	6	210.0	210.0	259.8	65	2542.11	16951.840	30	209.75	440.5	163.5	105	199.75
	72	6	210.0	210.0	259.8	65	2542.11	16951.840	30	205.75	440.5	163.5	105	199.75
	76	6	210.0	210.0	259.8	65	2542.11	16951.840	30	201.75	440.5	163.5	105	199.75
C8-07	80	6	258.1	258.1	302.8	85	4059.32	27069.190	30	240.8	501.05	204	129	232.25
	85	6	258.1	258.1	302.8	85	4059.32	27069.190	30	235.8	501.05	204	129	232.25
	90	6	258.1	258.1	302.8	85	4059.32	27069.190	30	230.8	501.05	204	129	232.25
	95	6	258.1	258.1	302.8	85	4059.32	27069.190	30	225.8	501.05	204	129	232.25

COMPACT 8 ORDERING NUMBERS



Item	Description	Ordering No.
HTT.9700.102.A	No.0 Compact-8 Spare Seal Kit	4222 2700 04
HTT.9700.000.A	No.0 Compact-8 Subsea Loadcell	8434 2200 54
HTT.9701.102.A	No.1 Compact-8 Spare Seal Kit	4222 2700 05
HTT.9701.000.A	No.1 Compact-8 Subsea Loadcell	8434 2200 55
HTT.8824.500.A	No.1 Split Nut - 1" Thread	8434 2200 18
HTT.8824.501.A	No.1 Split Nut - 1.1/8" Thread	8434 2200 19
HTT.8824.510.A	No.1 Split Nut - M24 Thread	8434 2200 20
HTT.8824.511.A	No.1 Split Nut - M27 Thread	8434 2200 21
HTT.8824.512.A	No.1 Split Nut - M30 Thread	8434 2200 22
HTT.9702.102.A	No.2 Compact-8 Spare Seal Kit	4222 2700 06
HTT.9702.000.A	No.2 Compact-8 Subsea Loadcell	8434 2200 56
HTT.8825.500.A	No.2 Split Nut - 1.1/4" Thread	8434 2200 23
HTT.8825.501.A	No.2 Split Nut - 1.3/8" Thread	8434 2200 24
HTT.8825.510.A	No.2 Split Nut - M33 Thread	8434 2200 25
HTT.8825.511.A	No.2 Split Nut - M36 Thread	8434 2200 26
HTT.9703.102.A	No.3 Compact-8 Spare Seal Kit	4222 2700 07
HTT.9703.000.A	No.3 Compact-8 Subsea Loadcell	8434 2200 57
HTT.8826.500.A	No.3 Split Nut - 1.1/2" Thread	8434 2200 27
HTT.8826.510.A	No.3 Split Nut - M39 Thread	8434 2200 29
HTT.8826.511.A	No.3 Split Nut - M42 Thread	8434 2200 30
HTT.8826.501.A	No.3 Split Nut 1.5/8" Thread	8434 2200 28
HTT.9704.102.A	No.4 Compact-8 Spare Seal Kit	4222 2700 08
HTT.9704.000.A	No.4 Compact-8 Subsea Loadcell	8434 2200 58
HTT.8827.500.A	No.4 Split Nut - 1.3/4" Thread	8434 2200 31
HTT.8827.501.A	No.4 Split Nut - 1.7/8" Thread	8434 2200 32
HTT.8827.502.A	No.4 Split Nut - 2" Thread	8434 2200 33
HTT.8827.510.A	No.4 Split Nut - M45 Thread	8434 2200 34
HTT.8827.511.A	No.4 Split Nut - M48 Thread	8434 2200 35

Item	Description	Ordering No.
HTT.8827.512.A	No.4 Split Nut - M52 Thread	8434 2200 36
HTT.9705.102.A	No.5 Compact-8 Spare Seal Kit	4222 2700 09
HTT.9705.000.A	No.5 Compact-8 Subsea Loadcell	8434 2200 59
HTT.8828.501.A	No.5 Split Nut - 2.1/2" Thread	8434 2200 38
HTT.8828.500.A	No.5 Split Nut - 2.1/4" Thread	8434 2200 37
HTT.8828.510.A	No.5 Split Nut - M56 Thread	8434 2200 39
HTT.8828.511.A	No.5 Split Nut - M60 Thread	8434 2200 40
HTT.8828.512.A	No.5 Split Nut - M64 Thread	8434 2200 41
HTT.9706.102.A	No.6 Compact-8 Spare Seal Kit	4222 2700 10
HTT.9706.000.A	No.6 Compact-8 Subsea Loadcell	8434 2200 60
HTT.8829.500.B	No.6 Split Nut - 2.3/4" Thread	8434 2200 42
HTT.8829.501.B	No.6 Split Nut - 3" Thread	8434 2200 43
HTT.8829.510.B	No.6 Split Nut - M68 Thread	8434 2200 44
HTT.8829.511.B	No.6 Split Nut - M72 Thread	8434 2200 45
HTT.8829.512.B	No.6 Split Nut - M76 Thread	8434 2200 46
HTT.9707.102.A	No.7 Compact-8 Spare Seal Kit	4222 2700 11
HTT.9707.000.A	No.7 Compact-8 Subsea Loadcell	8434 2200 61
HTT.8830.501.B	No.7 Split Nut - 3.1/2" Thread	8434 2200 48
HTT.8830.500.B	No.7 Split Nut - 3.1/4" Thread	8434 2200 47
HTT.8830.502.A	No.7 Split Nut - 3.3/4" Thread	8434 2200 49
HTT.8830.510.B	No.7 Split Nut - M80 Thread	8434 2200 50
HTT.8830.511.B	No.7 Split Nut - M85 Thread	8434 2200 51
HTT.8830.512.B	No.7 Split Nut - M90 Thread	8434 2200 52
HTT.8830.513.A	No.7 Split Nut - M95 Thread	8434 2200 53

TENTEC WTB

WIND TURBINE HYDRAULIC BOLT TENSIONER

These feature-packed tensioners have been designed with rapid tensioning in mind and offer a safe, reliable and consistent method of simultaneously tensioning many bolts.

AUTOMATIC RESET

Internal heavy duty springs automatically resets the tensioner once the pressure has been released.

HIGH LIFE PULLER

All Aero WTB tensioners have a device that ensures the tool fails safely in the unlikely event of a puller failure.

“SNAP DOWN” NUT DRIVE

To increase speed all Aero WTB tensioners are fitted with a spring loaded device that automatically engages the tensioner drive socket with the hexagon nut.

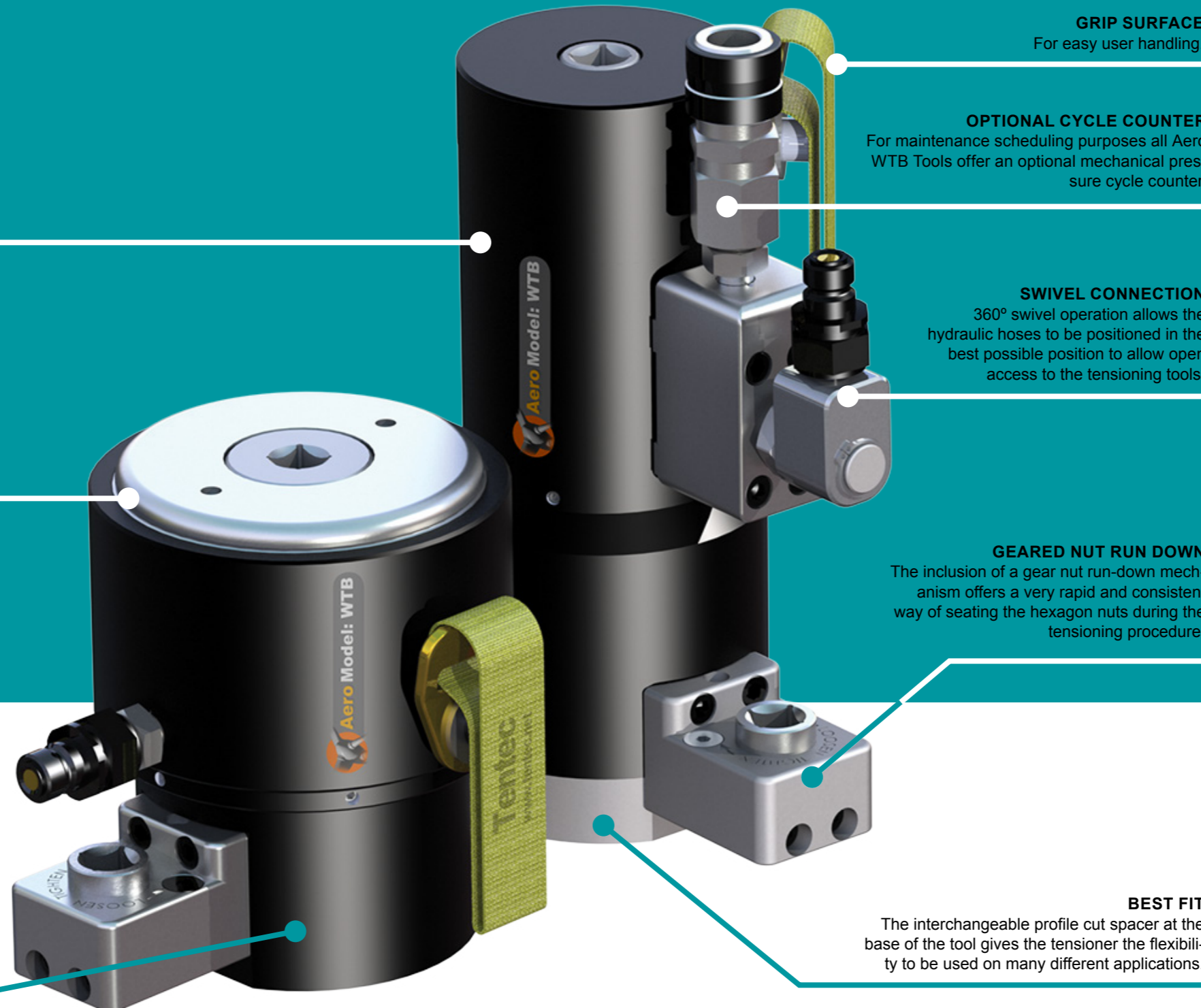
GRIP SURFACE
For easy user handling.

OPTIONAL CYCLE COUNTER
For maintenance scheduling purposes all Aero WTB Tools offer an optional mechanical pressure cycle counter.

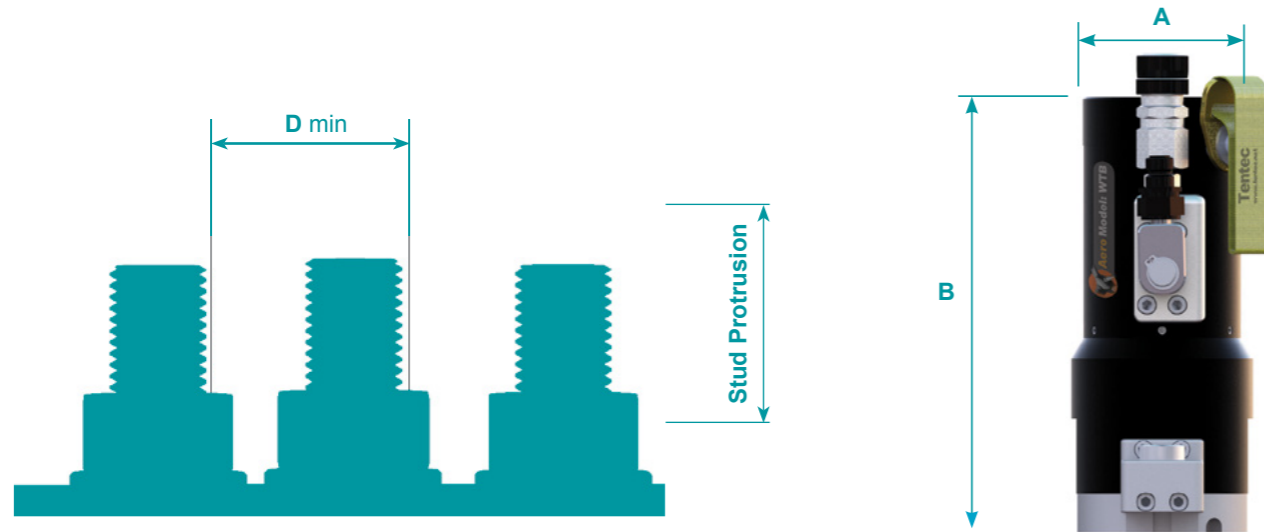
SWIVEL CONNECTION
360° swivel operation allows the hydraulic hoses to be positioned in the best possible position to allow open access to the tensioning tools.

GEARED NUT RUN DOWN
The inclusion of a gear nut run-down mechanism offers a very rapid and consistent way of seating the hexagon nuts during the tensioning procedure.

BEST FIT
The interchangeable profile cut spacer at the base of the tool gives the tensioner the flexibility to be used on many different applications.



AERO WTB TECHNICAL DATA



Model	Bolt Diameter	Stud Protrusion (Mm)		Max Stroke	Maximum Load		Hydraulic Pressure Area		Dia A	Height B	D	Weight
		min	max		kN	lbs	mm2	in2				
WTB30	M30	59	69	8	465.38	104622	3447.21	5.343	72	205	64	6.16
WTB33	M33	64	73	10	575.80	129444	4265.09	6.611	79	217.5	71	7.24
WTB36	M36	71	81	10	678.26	152478	5024.05	7.787	84.5	229.5	77	8.75
WTB39	M39	76	86	10	810.58	182225	6004.20	9.307	92	263	83	11.12
WTB42	M42	83	93	10	929.67	208999	6886.37	10.674	97	262.5	95	12.75
WTB45	M45	88	98	10	1079.48	242682	7996.12	12.394	105	275.5	94.5	15.86
WTB48	M48	94	104	10	1221.57	274620	9048.67	14.025	111	286.5	100.5	17.84
WTB56	M56	110	120	10	1686.19	379070	12490.29	19.359	132	314	115	26.5
WTB64	M64	124	134	10	2221.00	499300	16461.30	25.515	150	352	124	35

AERO WTB-LOW HEIGHT TECHNICAL DATA



Model	Bolt Diameter	Stud Protrusion (Mm)		Max Stroke	Maximum Load		Hydraulic Pressure Area		Dia A	Height B	D	Weight
		min	max		kN	lbs	mm2	in2				
WTBLH36	M36	71	91	10	678.14	152452	5023.4	7.79	123	167.5	-	9.97
WTBLH42	M42	83	103	10	930.15	209106	6889.96	10.68	142.5	181.3	-	13.94

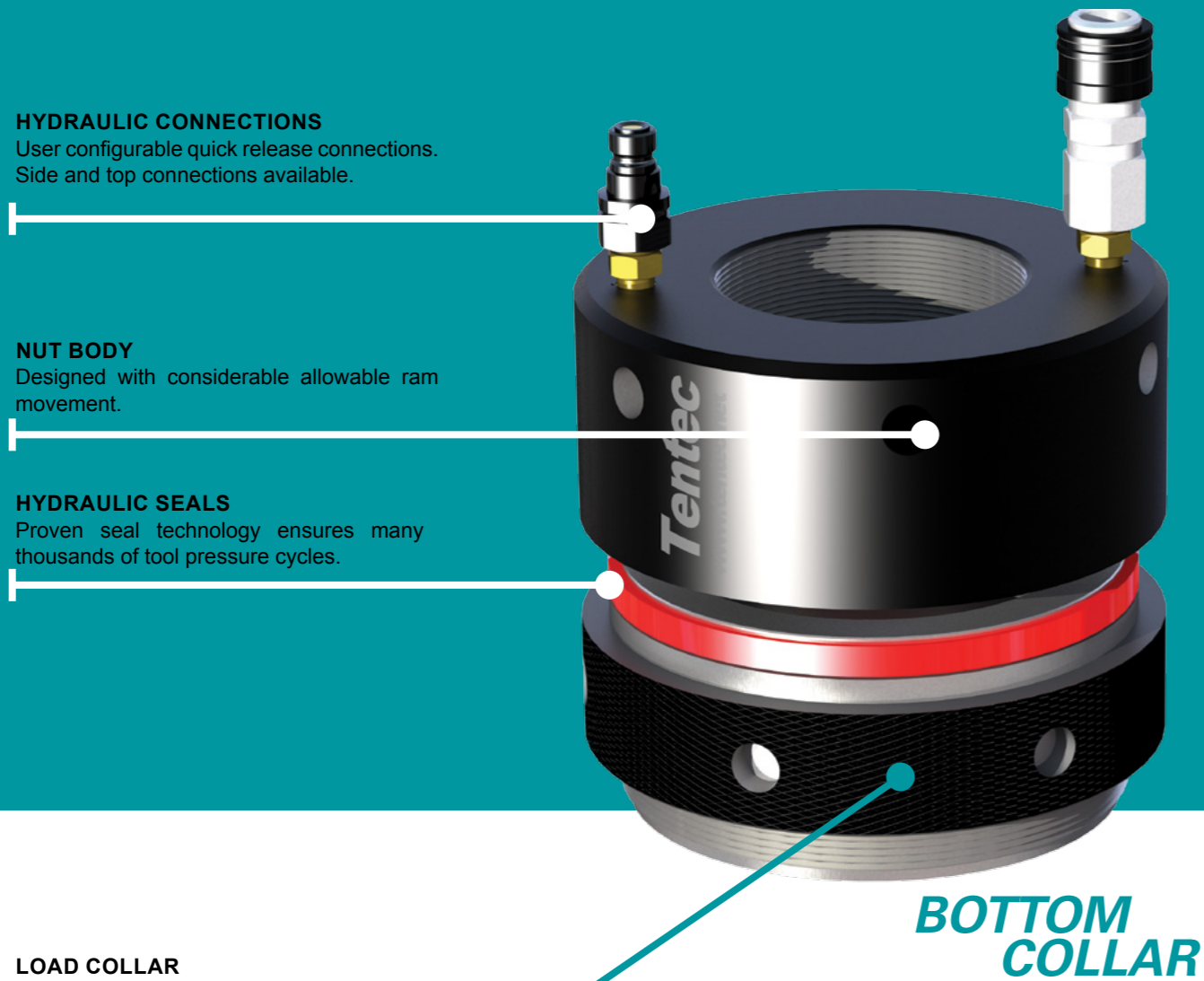
WTB ORDERING NUMBERS

Model	Description	Ordering No.
M30 Blade Tensioner	M30 X 3.5 Wtt	8434 2200 62
M33 Blade Tensioner	M33 X 3.5 Wtt	8434 2200 63
M36 Blade Tensioner	M36 X 4 Wtt	8434 2200 64
M39 Blade Tensioner	M39 X 4 Wtt	8434 2200 65
M42 Blade Tensioner	M42 X 4.5 Wtt	8434 2200 66
M45 Blade Tensioner	M45 X 4.5 Wtt	8434 2200 67
M48 Blade Tensioner	M48 X 5 Wtt	8434 2200 68

TENTEC HYDRAULIC NUTS

TOP COLLAR AND BOTTOM COLLAR MODELS

Hydraulic Nuts offer an extremely rapid and simple method of simultaneously accurately tensioning every bolt on a bolted joint. Hydraulic Nuts become a permanent part of the bolted joint and remain on the joint after the bolt load has been generated.



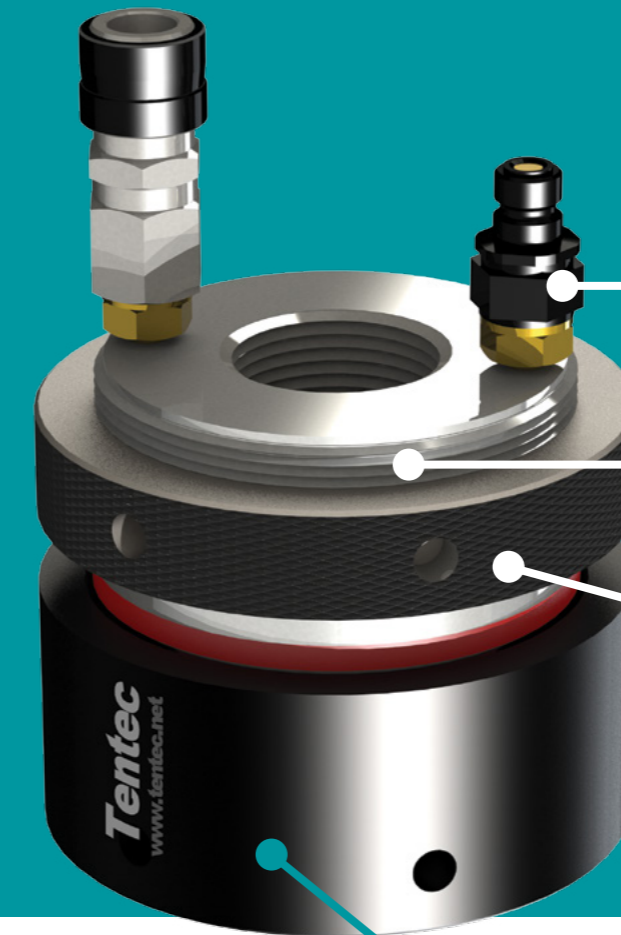
HYDRAULIC CONNECTIONS
User configurable quick release connections. Side and top connections available.

NUT BODY
Designed with considerable allowable ram movement.

HYDRAULIC SEALS
Proven seal technology ensures many thousands of tool pressure cycles.

LOAD COLLAR
Proven seal technology ensures many thousands of tool pressure cycles.

BOTTOM COLLAR



HYDRAULIC CONNECTIONS
User configurable quick release connections. Side and top connections available.

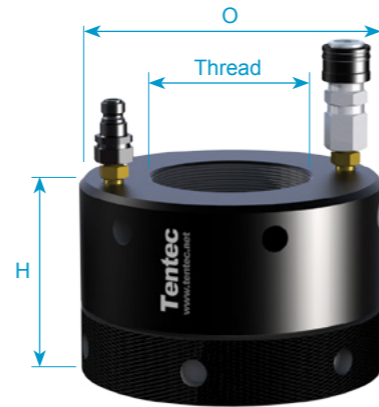
THREADED RAM
Interfaces with the load collar to retain bolt load.

LOAD COLLAR
User configurable quick release connections. Side and top connections available.

NUT BODY
Designed with considerable allowable ram movement.

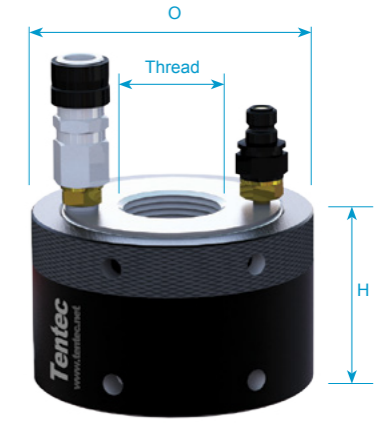
TOP COLLAR

BOTTOM COLLAR TECHNICAL DATA



Part No	Thread	Thread	Part No	Bolt Load		O	H	S
Inch	Inches	Metric	Metric	kN	Tons	mm	mm	mm
BCHN:0875	7/8	M22	BCHN:0022	190	19.1	54	48	5
BCHN:1000	1"	M24	BCHN:0024	205	20.6	57	44	5
BCHN:1125	1 1/8	M27	BCHN:0027	220	22.1	60	48	5
BCHN:1250	1 1/4	M33	BCHN:0033	265	26.6	67	51	5
BCHN:1375	1 3/8	M36	BCHN:0036	325	32.6	73	54	6
BCHN:1500	1 1/2	M39	BCHN:0039	373	37.5	78	56	6
BCHN:1625	1 5/8	M42	BCHN:0042	424	42.6	83	58	6
BCHN:1750	1 3/4	M45	BCHN:0045	445	44.6	86	60	6
BCHN:1875	1 7/8	M48	BCHN:0048	523	52.5	93	70	8
BCHN:2000	2	M52	BCHN:0052	629	63.1	102	71	8
BCHN:2250	2 1/4	M56	BCHN:0056	781	78.3	112	75	8
BCHN:2500	2 1/2	M64	BCHN:0064	941	94.4	124	86	8
BCHN:2750	2 3/4	M68	BCHN:0068	1042	104.5	131	90	8
BCHN:3000	3	M72	BCHN:0072	1246	125.1	144	94	10
BCHN:3250	3 1/4	M80	BCHN:0080	1607	161.3	159	104	10
BCHN:3500	3 1/2	M90	BCHN:0090	2027	203.4	176	114	10
BCHN:3750	3 3/4	M95	BCHN:0095	2160	216.7	182	118	10
BCHN:4000	4	M100	BCHN:0100	2466	247.5	200	124	15
BCHN:4500	4 1/2	M110	BCHN:0110	2814	282.4	215	136	15
BCHN:5000	5	M125	BCHN:0125	3820	383.4	244	148	15
BCHN:5500	5 1/2	M140	BCHN:0140	4954	497.1	272	164	15
BCHN:6000	6	M150	BCHN:0150	5655	567.5	290	176	15

TOP COLLAR TECHNICAL DATA



Part No	Thread	Thread	Part No	Bolt Load		O	H	Ram Stroke
Inch	Inches	Metric	Metric	kN	Tons	mm	mm	mm
TCHN:0875	7/8	M22	TCHN:0022	190	19.1	54	40	5
TCHN:1000	1	M24	TCHN:0024	205	20.6	57	44	5
TCHN:1125	1 1/8	M27	TCHN:0027	220	22.1	60	46	5
TCHN:1250	1 1/4	M33	TCHN:0033	265	26.6	67	48	5
TCHN:1375	1 3/8	M36	TCHN:0036	325	32.6	73	52	6
TCHN:1500	1 1/2	M39	TCHN:0039	373	37.5	78	56	6
TCHN:1625	1 5/8	M42	TCHN:0042	424	42.6	83	58	6
TCHN:1750	1 3/4	M45	TCHN:0045	445	44.6	86	60	6
TCHN:1875	1 7/8	M48	TCHN:0048	523	52.5	93	64	8
TCHN:2000	2	M52	TCHN:0052	629	63.1	102	72	8
TCHN:2250	2 1/4	M56	TCHN:0056	781	78.3	112	75	8
TCHN:2500	2 1/2	M64	TCHN:0064	941	94.4	124	81	8
TCHN:2750	2 3/4	M68	TCHN:0068	1042	104.5	131	89	8
TCHN:3000	3	M72	TCHN:0072	1246	125.1	144	96	10
TCHN:3250	3 1/4	M80	TCHN:0080	1607	161.3	159	104	10
TCHN:3500	3 1/2	M90	TCHN:0090	2027	203.4	176	114	10
TCHN:3750	3 3/4	M95	TCHN:0095	2160	216.7	182	117	10
TCHN:4000	4	M100	TCHN:0100	2466	247.5	200	126	15
TCHN:4500	4 1/2	M110	TCHN:0110	2814	282.4	215	138	15
TCHN:5000	5	M125	TCHN:0125	3820	383.4	244	150	15
TCHN:5500	5 1/2	M140	TCHN:0140	4954	497.1	272	168	15
TCHN:6000	6	M150	TCHN:0150	5655	567.5	290	174	15

HYDRAULIC NUT ORDERING NUMBERS

Item	Description	Ordering No.
HTT.1671.000.B	M42 X 4.5 Bottom Collar Hydraulic Nut	8434 2200 07
HTT.1671.102.A	Spare M42 Hydraulic Nut Seal Kit	4222 2700 01
HTT.1710.000.C	M36 X 3 Bottom Collar Hydraulic Nut	8434 2200 08
HTT.1710.101.B	Spare M36 Hydraulic Nut Seal Kit	4222 2700 02
HTT.2820.000.D	M30 X 3.5 Bottom Collar Hydraulic Nut	8434 2200 09
HTT.2820.005.B	Spare M30 Hydraulic Nut Seal Kit	4222 2700 03

ANCILLARY PRODUCTS FOR TENTEC BOLT TENSIONERS

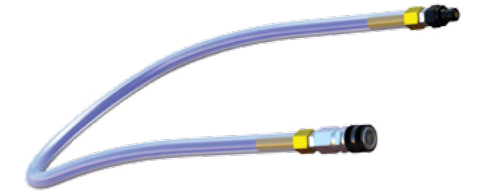
Pumps

Item	Description	Ordering No.
HTT.2065.000.A	0-25,000Psi Low Pressure Hand Pump	8434 2200 03
HTT.2122.000.A	0-40,000Psi Low Pressure Hand Pump	8434 2200 04
HTT.6271.000.E	0-25,000Psi Low Pressure Air Driven Pump Unit	8434 2200 05
HTT.6272.000.E	0-40,000Psi High Pressure Air Driven Pump Unit	8434 2200 06

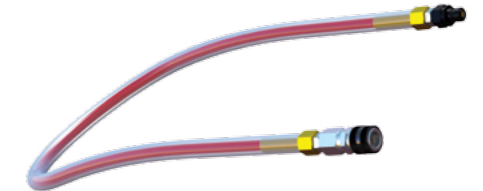


Item	Description	Ordering No.
HTT.4425.130.B	4.Ply 1.3 Meter Long Hose (Low Pressure)	8434 2200 10
HTT.4425.150.B	4.Ply 1.3 Meter Long Hose (Low Pressure)	8434 2200 11
HTT.4425.300.B	4.Ply 1.5 Meter Long Hose (Low Pressure)	8434 2200 12
HTT.4425.500.B	4.Ply 5 Meter Long Hose (Low Pressure)	8434 2200 13
HTT.4444.130.A	6.Ply 1.3 Meter Long Hose (High Pressure)	8434 2200 14
HTT.4444.150.B	6.Ply 1.3 Meter Long Hose (High Pressure)	8434 2200 15
HTT.4444.300.B	6.Ply 1.5 Meter Long Hose (High Pressure)	8434 2200 16
HTT.4444.500.B	6.Ply 5 Meter Long Hose (High Pressure)	8434 2200 17

1500 bar Hydraulic Link Hose



2275 bar Hydraulic Link Hose



Hydraulic Oil

Item	Description	Ordering No.
AWS68	AWS68 - Hyd Oil One Gallon	8434 2200 01
AWS32	AWS32 - Hyd Oil One Gallon	8434 2200 02

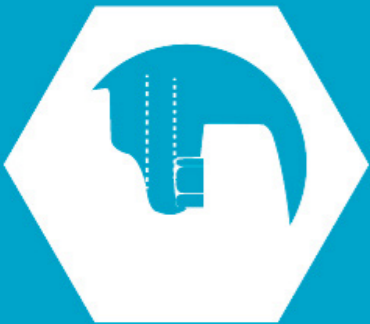
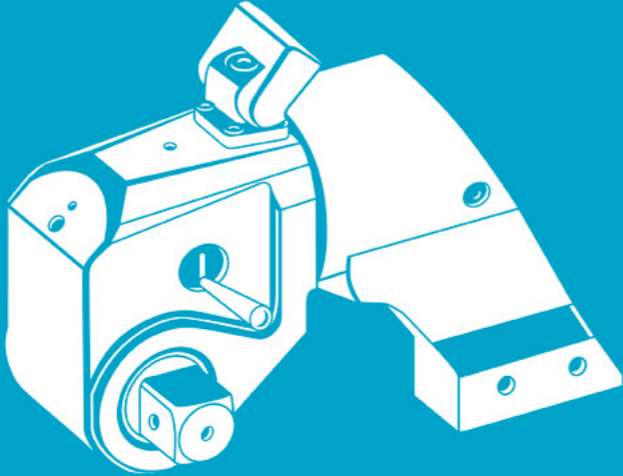


Couplers/Nipples

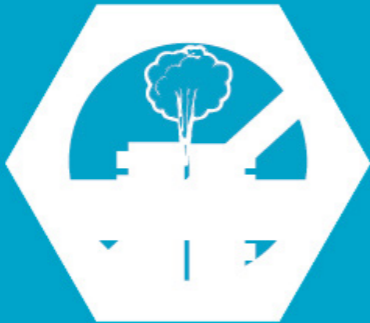
Item	Description	Ordering No.
HTT.3427.000.D	1/4" Male X 1/4" Male Adaptor (Tensioner)	4222 2700 19
HTT.3627.000.C	1/4" Male X 1/4" Cejn Male (Hose)	4222 2700 20
400.021-4490-2	1/4" Dowty Seal	4222 2700 21
C101161202	C116 Female Coupling (Low Pressure)	4222 2700 22
C101166202	C116 Male Nipple (Low Pressure)	4222 2700 23
C101251203	C125 Female Coupling (High Pressure)	4222 2700 24
C101256203	C125 Male Nipple (High Pressure)	4222 2700 25



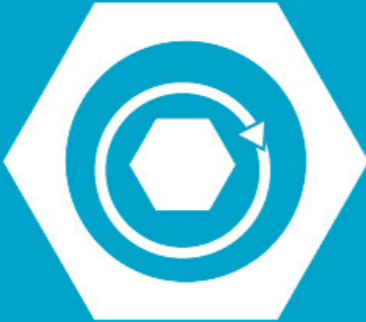
HYDRAULIC TORQUE WRENCHES



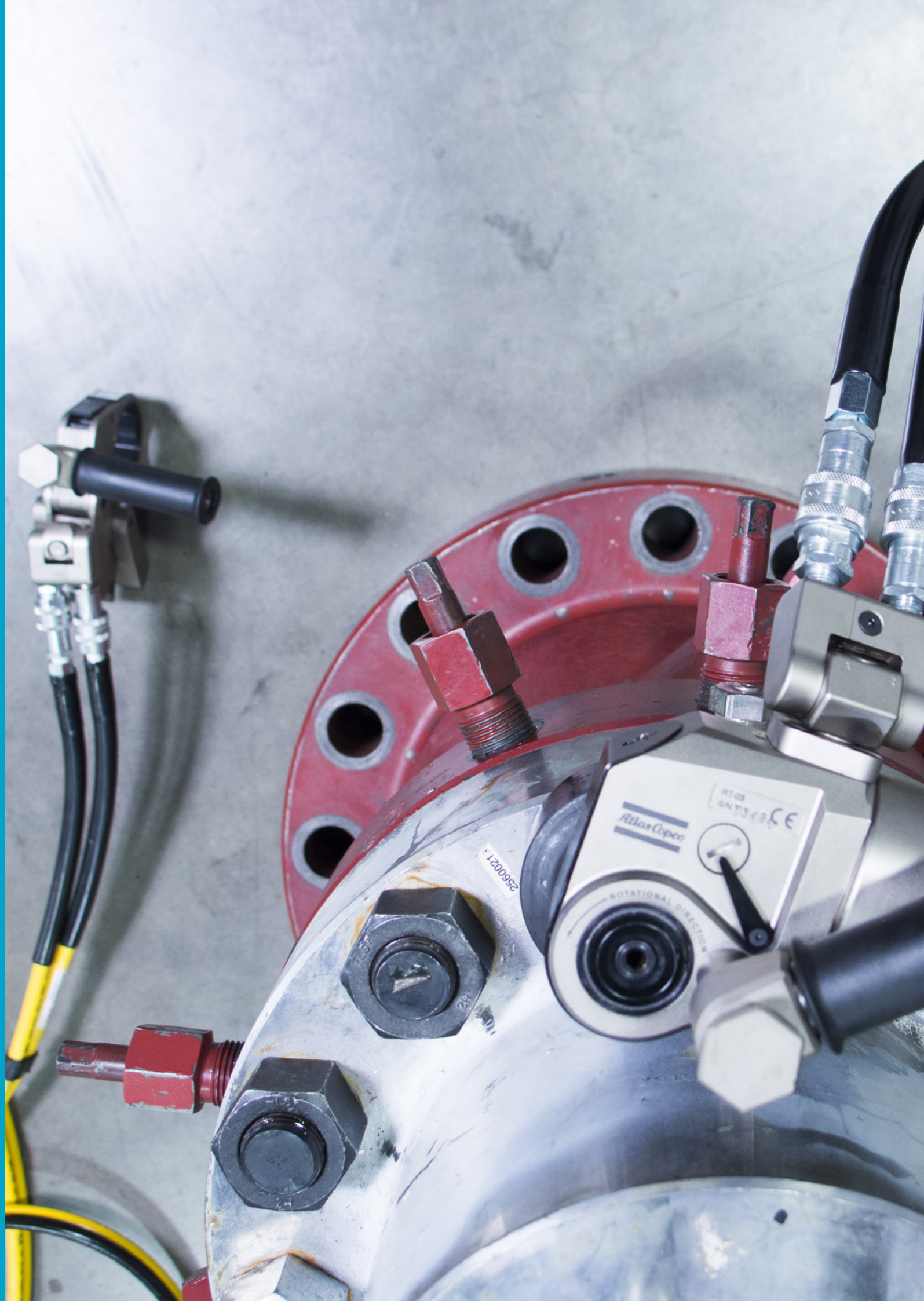
LOW
CLEARANCE



LEAK FREE
JOINTS



AUTO-ADVANCE
FEATURE



RT SERIES

SQUARE DRIVE HYDRAULIC TORQUE WRENCH

Atlas Copco RT Series standard hydraulic wrenches offer extremely high torquing power. There are nine models to choose from and output accuracy is at +/-3%

MONOBLOC ALUMINUM HOUSING
A single block of aircraft quality aluminum alloy is used to produce the RT Series housing. This allows the tool to produce massive amounts of torque, while having an amazing power-to-weight ratio.

SPRING-LOADED SHROUD
Spring loaded shroud absorbs energy during operation.

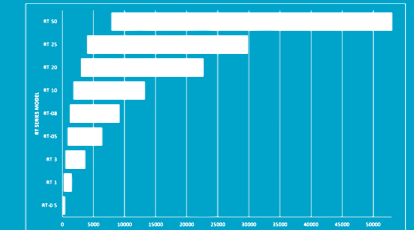
EXTERNAL DISENGAGEMENT LEVER
These external disengagement levers make it easy to remove the tool from the application.

SPLINED SQUARE DRIVE
The RT Series splined square drive distributes load evenly through the drive components, providing full heavy-duty transmission of force. Direct Hex Drives and Hex Adapters are available.

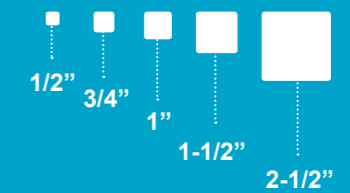
MULTI-AXIS SWIVEL
Greater range of movement on multiple axis allows the hose to move easier compared to single axis swivels.

SPLINED REACTION ARM
Splined reaction arm makes the tool more compact and allows the reaction arm to be adjusted for maximum safety.

+/- 3 %
Accuracy



Square Drive Sizes

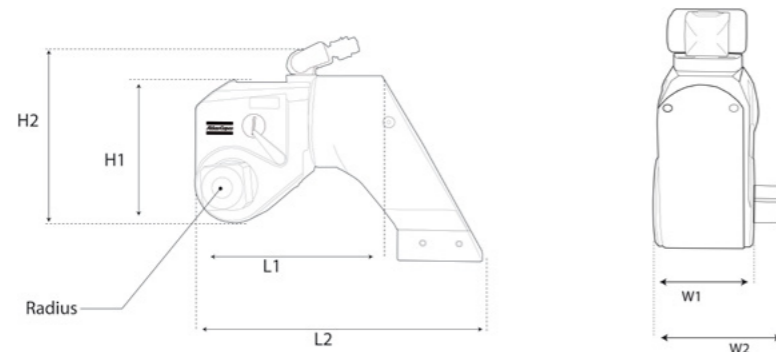


HIGH STRENGTH STEEL BOOT
The reaction arm boot comes standard. Copper boot also available.

RT SERIES TECHNICAL INFORMATION



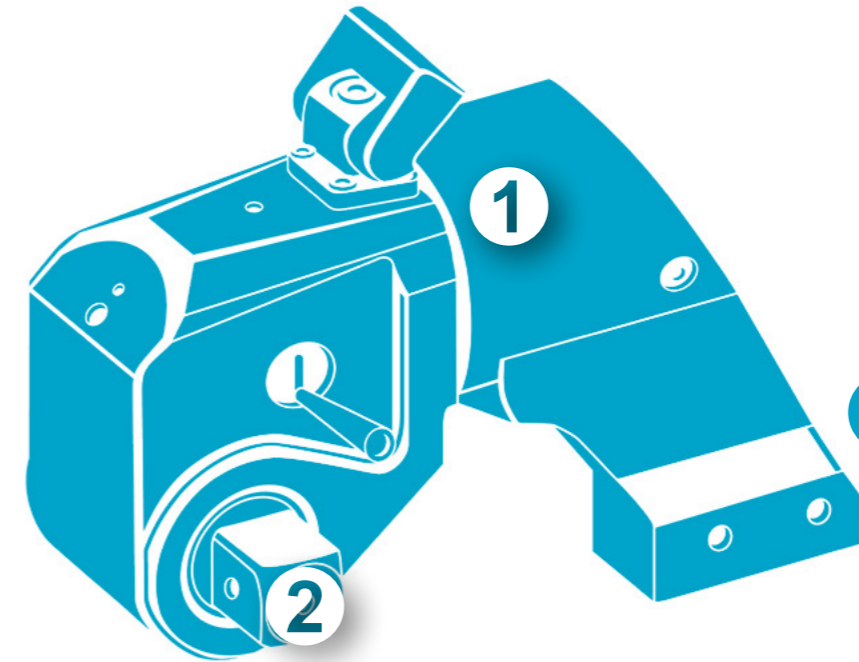
Model	Square Drive in	Torque				Weight		Ordering No.
		ft. lb.		Nm		lb	kg	
		min	max	min	max			
RT-0.5	1/2	55	397	75	538	0.8	0.4	8434 2010 00
RT-01	3/4	200	1340	271	1817	3.8	1.9	8434 2010 02
RT-03	1	480	3230	651	4379	7.8	3.9	8434 2010 05
RT-05	1-1/2	835	5590	1132	7578	15	7.5	8434 2010 09
RT-08	1-1/2	1200	8000	1627	10845	23	11.5	8434 2010 13
RT-10	1-1/2	1755	11520	2379	15617	26.8	13.4	8434 2010 16
RT-20	2-1/2	2960	19760	4013	26787	36	18	8434 2010 20
RT-25	2-1/2	3960	25890	5368	35096	62	31	8434 2010 25
RT-50	2-1/2	7875	52500	10675	71169	96	48	8434 2010 29



Model	L1		L2		H1		H2		Radius		W1		W2	
	in	mm	in	mm	in	mm	in	mm	in	mm	in	mm	in	mm
RT-0.5	3.15	81	4.87	125	2.35	60.5	3.62	93	0.52	13.5	1.3	33.5	1.97	50.5
RT-01	4.68	120	7.13	183	3.52	90.5	4.75	122	0.9	23	1.95	50	2.76	71
RT-03	6.04	155	9.24	237	4.68	120	6.08	156	1.28	33	2.59	66.5	3.72	95.5
RT-05	7.21	185	11.23	288	5.63	144.5	7.05	181	1.44	37	3.12	80	4.9	126
RT-08	7.85	202	12.49	321	6.42	164.6	8.4	213.36	1.62	41	3.48	88	4.95	126
RT-10	9	232	13.9	357	7.2	186	9.3	239	1.87	48	3.9	100	5.5	142.5
RT-20	10.2	259	16.55	420	8.5	216	9.9	251	2.17	55.1	4.7	119	6.7	170
RT-25	12	310	18.4	473	9.1	234	11	282	2.37	61	5.2	134	7.4	191
RT-50	15.2	390	23.9	615	11.4	294	13.4	344	30.8	79	6.5	167	8.9	228

Designs and specifications are subject to change without notice or obligation. Read all safety instructions in the manual before usage.

RT SERIES STANDARD SETUP

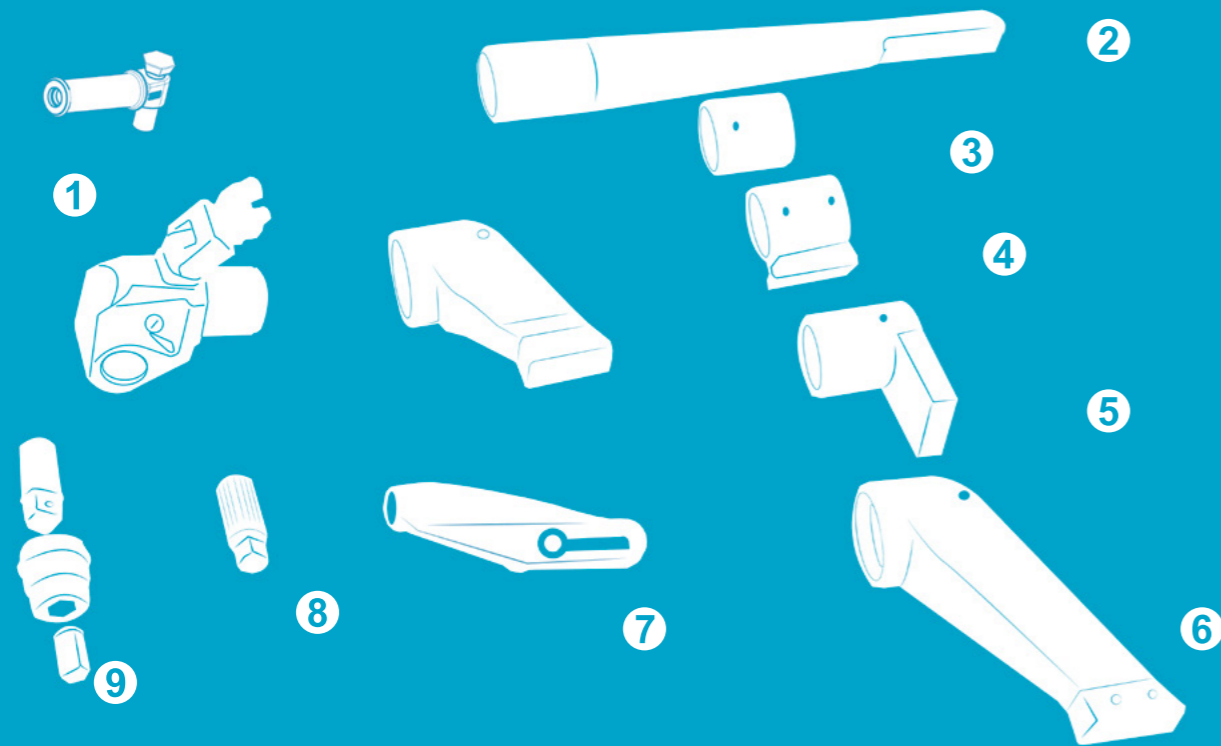


1 The RT comes with the standard reaction arm, great for many common applications.

2 The RT Series comes standard with a square drive, use with a socket.

Use high quality impact sockets
See page 74 for impact socket selection.

SQUARE DRIVE HYDRAULIC TORQUE WRENCH ACCESSORIES



- ① RT Safety Handle
- ② Alco Reaction Arm
- ③ Steel Reaction Sleeve
- ④ Steel Reaction Sleeve with Foot
- ⑤ CAM-style Reaction Arm
- ⑥ Extended Reaction Arm
- ⑦ Sliding Reaction Arm
- ⑧ Direct Hex Drive
- ⑨ Insert Bit Adapter

① SAFETY HANDLE



Description	Ordering No.
Handle Kit RT0.5, RT1	8434 2170 34
Handle Kit RT3, RT5	8434 2170 33
Handle Kit RT8, RT10	8434 2170 32

② ALCO ARM



Description	Ordering No.
RT0.5-ALC	4222 2126 76
RT01-ALC	4222 2102 64
RT03-ALC	8434 2057 10
RT05-ALC	8434 2139 88
RT08-ALC	8434 2140 36
RT10-ALC	8434 2140 60

③ STEEL SLEEVE



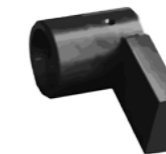
Description	Ordering No.
RT0.5-SSLV	4222 2126 88
RT01-SSLV	8434 2057 08
RT03-SSLV	8434 2057 32
RT05-SSLV	8434 2140 30
RT08-SSLV	8434 2140 51
RT10-SSLV	8434 2140 90

④ STEEL SLEEVE W/FOOT



Description	Ordering No.
RT01-SSLVF	8434 2057 09
RT03-SLVF	4222 2130 21

⑤ CAM STYLE ARM



Description	Ordering No.
RT03-CAM ARM	4222 2130 12
RT05-CAM ARM	4222 2130 57

RT SERIES ACCESSORIES

6 EXT ARM



Description	Ordering No.
RT0.5-EXT	4222 2126 82
RT01-EXT	8434 2056 92
RT03-EXT	8434 2057 12
RT05-EXT	8434 2057 34
RT08-EXT	8434 2140 42
RT10-EXT	8434 2140 66

7 SLIDING REACTION ARM



Description	Ordering No.	Description	Ordering No.
RT-01 Sliding Ext	8434 2057 33	RT-10 Sliding Ext	8434 2150 34
RT-01 Sliding Std	8434 2150 95	RT-10 Sliding Std	8434 2150 33
RT-03 Sliding Ext	8434 2150 37	RT20 Sliding Ext	8434 2150 90
RT-03 Sliding Std	8434 2150 30	RT20 Sliding Std	8434 2150 89
RT-05 Sliding Ext	8434 2150 36	RT25 Sliding Ext	8434 2150 92
RT-05 Sliding Std	8434 2150 35	RT25 Sliding Std	8434 2150 91
RT-08 Sliding Ext	8434 2150 32	RT50 Sliding Ext	8434 2150 94
RT-08 Sliding Std	8434 2150 31	RT50 Sliding Std	8434 2150 93

STD= Standard EXT=Extended

RT SERIES ACCESSORIES

8 DIRECT HEX DRIVE



Description	Ordering No.
RT0.5-HX-10MM	8434 2138 44
RT0.5-HX-12MM	8434 2138 47
RT0.5-HX-14MM	8434 2138 50
RT0.5-HX-16MM	8434 2138 53
RT0.5-HX-17MM	8434 2138 56
RT0.5-HX-19MM	8434 2138 62
RT0.5-HX-22MM	8434 2138 68
RT0.5-HX-24MM	8434 2101 71
RT01-HX-010	8434 2138 71
RT01-HX-012	8434 2138 74
RT01-HX-014	8434 2138 77
RT01-HX-17MM	8434 2056 96

Description	Ordering No.
RT01-HX-19MM	8434 2056 98
RT01-HX-22MM	8434 2057 02
RT01-HX-24MM	8434 2057 04
RT01-HX-27MM	8434 2057 06
RT03-HX-010	8434 2057 14
RT03-HX-012	8434 2057 16
RT03-HX-014	8434 2057 18
RT03-HX-19MM	8434 2057 22
RT03-HX-19MM-EXT	8434 2139 40
RT03-HX-22MM	8434 2057 24
RT03-HX-22MM-EXT	8434 2116 22
RT03-HX-24MM	8434 2057 26
RT03-HX-24MM-EXT	8434 2116 25

Description	Ordering No.
RT03-HX-27MM	8434 2057 28
RT03-HX-30MM	8434 2139 46
RT03-HX-32MM	8434 2057 30
RT03-HX-36MM	8434 2139 49
RT03-HX-36MM-EXT	8434 2139 52
RT03-HX-38MM	8434 2139 55
RT05-HX-24MM	8434 2140 03
RT05-HX-27MM	8434 2057 36
RT05-HX-27MM-EXT	8434 2140 09
RT05-HX-32MM	8434 2140 12
RT05-HX-32MM-EXT	8434 2140 15

9 INSERT BIT ADAPTER

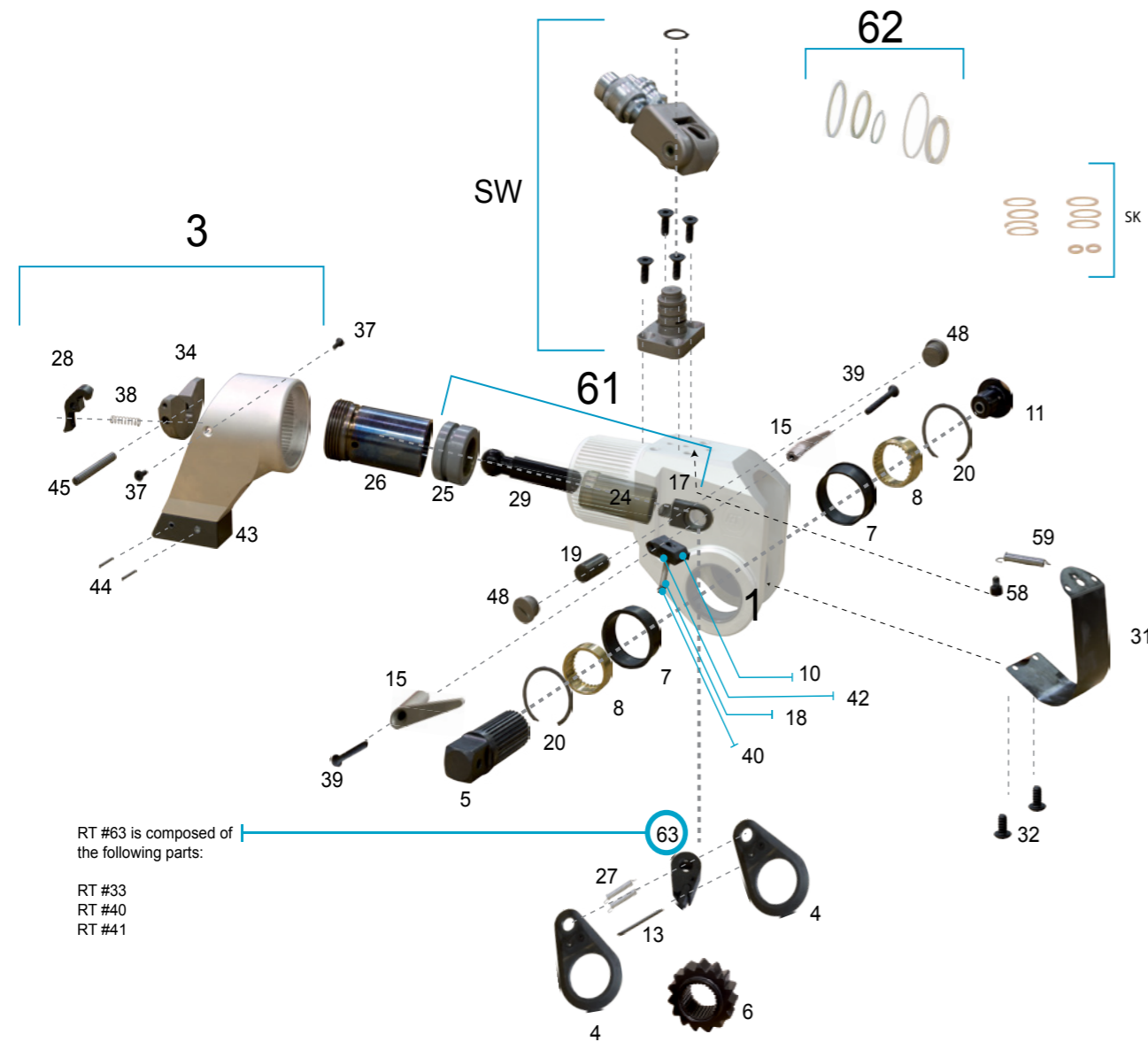


Description	Ordering No.
Hex Holder Sq Dr 3/4"-7/8"	8434 2129 59
Hex Holder Sq Dr 1/2"-1/2"	8434 2056 58
Hex Holder Sq Dr 1/2"-7/8"	8434 2056 60
Hex Holder Sq Dr 1 1/2"-1 3/4"	8434 2129 62
Hex Holder Sq Dr 1 1/2"-1 1/4"	8434 2129 65
Hex Holder Sq Dr 1"-1 1/4"	8434 2129 68
Hex Holder Sq Dr 1"-7/8"	8434 2056 62
Hex Size 10MM	8434 2054 24
Hex Size 12MM	8434 2054 26
Hex Size 14MM	8434 2054 30
Hex Size 17MM	8434 2054 32
Hex Size 19MM	8434 2054 34

Description	Ordering No.
Hex Size 22MM	8434 2054 36
Hex Size 24MM	8434 2054 38
Hex Size 27MM	8434 2123 32
Hex Size 24MM	8434 2050 18
Hex Size 27MM	8434 2050 20
Hex Size 28MM	8434 2050 22
Hex Size 29MM	8434 2050 24
Hex Size 30MM	8434 2050 26
Hex Size 32MM	8434 2050 28
Hex Size 33MM	8434 2050 30
Hex Size 36MM	8434 2124 13
Hex Size 36MM	8434 2050 40
Hex Size 40MM	8434 2124 16
Hex Size 41MM	8434 2050 42
Hex Size 46MM	8434 2050 44
Hex Size 50MM	8434 2050 46

Description	Ordering No.
Hex Size 1"	8434 2054 20
Hex Size 1"	8434 2050 12
Hex Size 1 1/16"	8434 2124 10
Hex Size 1 1/4"	8434 2050 14
Hex Size 1 1/8"	8434 2050 16
Hex Size 1 1/2"	8434 2050 32
Hex Size 1 3/4"	8434 2050 34
Hex Size 1 3/8"	8434 2050 36
Hex Size 1 5/8"	8434 2050 38
Hex Size 1"-12pt	8434 2126 86
Hex Size 1/2"	8434 2054 22
Hex Size 13/16"	8434 2054 28
Hex Size 3/4"	8434 2054 40
Hex Size 5/8"	8434 2054 42
Hex Size 7/8"	8434 2054 44
Hex Size 9/16"	8434 2054 46

RT SERIES SPARE PARTS ORDERING NUMBERS



Periodic testing and maintenance is advised to ensure accuracy and safe operation of the tool. Our technicians are experts in keeping your tool in optimal working condition. Or you can opt to purchase our RT Series maintenance kits.

Parts List

Item	Part Description	Description
1	Housing	RT-#1
3	Reaction Arm Assembly	RT-#3
4	Drive Plate	RT-#4
5	Square Drive	RT-#5
6	Ratchet Spine	RT-#6
7	Drive Bushing	RT-#7
8	Drive Sleeve Spline	RT-#8
10	Reaction Pawl	RT-#10
11	Drive Retainer	RT-#11
13	Drive Plate Roll Pin	RT-#13
15	Disengagement Lever	RT-#15
17	Piston Rod End	RT-#17
18	Reaction Pawl Spring	RT-#18
19	Rod End Pin	RT-#19
20	Drive Sleeve Retaining Ring	RT-#20
24	Piston Sleeve	RT-#24
25	Piston with Seal	RT-#25
26	Cylinder End Cap	RT-#26
27	Drive Pawl Spring	RT-#27
28	Reaction Arm Lever	RT-#28
29	Piston Rod	RT-#29
31	Shroud	RT-#31
32	Shroud Screw	RT-#32
33	Secondary Drive Pawl Spring	RT-#33
34	Reaction Arm Plate	RT-#34
37	Reaction Arm Plate Screw	RT-#37
38	Reaction Arm Lever Spring	RT-#38
39	Disengagement Lever Screw	RT-#39
40	Primary Drive Pawl Roll Pin	RT-#40
41	Secondary Drive Pawl Pin	RT-#41
42	Reaction Pawl Roll Pin	RT-#42
43	Reaction Arm Boot with Pins	RT-#43
44	Reaction Arm Boot Pin	RT-#44
45	Reaction Arm Lever Pin	RT-#45
48	Access Plug	RT-#48
58	Shroud Spring Screw	RT-#58
59	Shroud Spring	RT-#59
61	Piston Rod Assembly	RT-#61
62*	Housing Seal Kit	RT-#62
63	Drive Pawl Assembly	RT-#63
SW	Swivel Assembly (Small, Medium or Large)	RT-SW
SK*	Swivel Seal Kit (Small, Medium or Large)	RT-SK

RT Series Maintenance Kits

Description	Part Description	Ordering No.
RT0.5-MK	Maintenance Kit	4222 2126 85
RT01-MK	Maintenance Kit	4222 2127 36
RT03-MK	Maintenance Kit	8434 2139 73
RT05-MK	Maintenance Kit	4222 2127 78
RT08-MK	Maintenance Kit	4222 2105 52
RT10-MK	Maintenance Kit	8434 2140 87
RT20-MK	Maintenance Kit	8434 2057 56
RT25-MK	Maintenance Kit	4222 2116 31
RT50-MK	Maintenance Kit	4222 2116 34

Maintenance kits have the spare parts you need to do basic maintenance on your tool, including seals springs and roll pins.

Maintenance Kit Includes:
 Disengagement Lever w/Screws
 Drive Sleeve Retaining Ring
 Shroud
 Reaction Arm Plate Screws
 Disengagement Lever screw
 Access Plug (if applicable)
 Shroud Spring Screw
 Housing Seal Kit
 Roll Pin Kit
 Spring Kit
 Medium Swivel Seal Kit
 Male Female Nipple
 Female Coupler

*Please note: Seals are not included with spare parts. For replacement seals order our Seal Kits

RT SERIES SPARE PARTS ORDERING NUMBERS

RT-0.5

Description	Part Description	Ordering No.
RT0.5-01	Housing	4222 2125 80
RT0.5-03	Reaction Arm Assembly	4222 2101 44
RT0.5-04	Drive Plate	4222 2101 47
RT0.5-05	Square Drive	4222 2125 83
RT0.5-06	Ratchet Spline	4222 2125 86
RT0.5-07	Drive Bushing	4222 2101 50
RT0.5-08	Drive Sleeve Spline	4222 2125 89
RT0.5-10	Reaction Pawl	4222 2125 92
RT0.5-11	Drive Retainer	4222 2101 53
RT0.5-13	Drive Plate Roll Pin	4222 2101 56
RT0.5-15	Disengagement Lever	4222 2125 95
RT0.5-17	Piston Rod End	4222 2101 59
RT0.5-18	Reaction Pawl Spring	4222 2125 98
RT0.5-19	Rod End Pin	4222 2101 62
RT0.5-20	Drive Sleeve Retaining Ring	4222 2126 01
RT0.5-24	Piston Sleeve	4222 2126 04
RT0.5-25	Piston	4222 2126 07
RT0.5-26	Cylinder End Cap	4222 2126 10
RT0.5-27	Drive Pawl Spring	4222 2101 65
RT0.5-28	Reaction arm lever	4222 2126 13
RT0.5-29	Piston Rod	4222 2126 16
RT0.5-31	Shroud	4222 2126 19
RT0.5-32	Shroud Screws	4222 2126 22
RT0.5-33	Secondary Drive Pawl Spring	4222 2126 25
RT0.5-34	Reaction Arm Plate	4222 2126 28
RT0.5-37	Reaction Arm Plate Screws	4222 2126 31
RT0.5-38	Reaction Arm Lever Spring	4222 2126 34
RT0.5-39	Disengagement Lever Screw	4222 2126 37
RT0.5-40	Primary Drive Pawl Roll Pin	4222 2101 68
RT0.5-41	Secondary Drive Pawl Pin	4222 2126 40
RT0.5-42	Reaction Pawl Roll Pin	4222 2126 43
RT0.5-58	Shroud Spring Screw	4222 2126 58
RT0.5-59	Shroud Spring	4222 2126 61
RT0.5-61	Piston Rod Assembly	4222 2126 64
RT0.5-62	Housing Seal Kit	4222 2126 67
RT0.5-63	Drive Pawl Assembly	4222 2126 70
RT0.5-64	Roll Pin Kit	4222 2126 73
RT-SWIVEL-S	Small Swivel Assembly	4222 2116 19
RT-SK-S	Small Swivel Seal Kit	4222 2100 03

RT-01

Description	Part Description	Ordering No.
RT01-01	Housing	4222 2101 74
RT01-03	Reaction Arm Assembly	4222 2104 85
RT01-04	Drive Plate	4222 2101 77
RT01-05	Square Drive	4222 2126 97
RT01-06	Ratchet Spline	4222 2101 80
RT01-07	Drive Bushing	4222 2101 83
RT01-08	Drive Sleeve Spline	4222 2101 86
RT01-10	Reaction Pawl	4222 2127 00
RT01-11	Drive Retainer	4222 2127 03
RT01-13	Drive Plate Roll Pin	4222 2101 89
RT01-15	Disengagement Lever	4222 2101 92
RT01-17	Piston Rod End	4222 2101 95
RT01-18	Reaction Pawl Spring	4222 2101 98
RT01-19	Rod End Pin	4222 2102 01
RT01-20	Drive Sleeve Retaining Ring	4222 2102 04
RT01-24	Piston Sleeve	4222 2102 07
RT01-25	Piston	4222 2102 10
RT01-26	Cylinder End Cap	4222 2102 13
RT01-27	Drive Pawl Spring	4222 2102 16
RT01-28	Reaction Arm Lever	4222 2127 06
RT01-29	Piston Rod	4222 2102 19
RT01-31	Shroud	4222 2102 22
RT01-32	Shroud Screws	4222 2102 25
RT01-33	Secondary Drive Pawl Spring	4222 2102 28
RT01-34	Reaction Arm Plate	4222 2127 09
RT01-37	Reaction Arm Plate Screws	4222 2127 12
RT01-38	Reaction Arm Lever Spring	4222 2127 15
RT01-39	Disengagement Lever Screw	4222 2102 31
RT01-40	Primary Drive Pawl Roll Pin	4222 2102 34
RT01-41	Secondary Drive Pawl Pin	4222 2102 37
RT01-42	Reaction Pawl Roll Pin	4222 2102 40
RT01-43	Reaction Arm Boot with Pins	4222 2102 43
RT01-44	Reaction Arm Boot Pin	4222 2102 46
RT01-45	Reaction Arm Lever Pin	4222 2127 18
RT01-48	Access Plug	4222 2102 49
RT01-58	Shroud Spring Screw	4222 2102 52
RT01-59	Shroud Spring	4222 2102 55
RT01-61	Piston Rod Assembly	4222 2127 21
RT01-62	Housing Seal Kit	4222 2102 58
RT01-63	Drive Pawl Assembly	4222 2102 61
RT01-64	Roll Pin Kit	4222 2127 24
RT01-65	Spring Kit	4222 2127 27
RT-SWIVEL-S	Swivel Assembly Small	4222 2116 19
RT-SK-S	Swivel Seal Kit Small	4222 2100 03

RT-03

Description	Part Description	Ordering No.
RT03-01	Housing	4222 2102 70
RT03-03	Reaction Arm Assembly	4222 2102 73
RT03-04	Drive Plate	4222 2102 76
RT03-05	Square Drive	4222 2102 79
RT03-06	Ratchet Spline	4222 2102 82
RT03-07	Drive Bushing	4222 2102 85
RT03-08	Drive Sleeve Spline	4222 2102 88
RT03-10	Reaction Pawl	4222 2102 91
RT03-11	Drive Retainer	4222 2102 94
RT03-13	Drive Plate Roll Pin	4222 2102 97
RT03-15	Disengagement Lever	4222 2103 00
RT03-17	Piston Rod End	4222 2103 03
RT03-18	Reaction Pawl Spring	4222 2103 06
RT03-19	Rod End Pin	4222 2103 09
RT03-20	Drive Sleeve Retaining Ring	4222 2103 12
RT03-24	Piston Sleeve	4222 2103 15
RT03-25	Piston	4222 2103 18
RT03-26	Cylinder End Cap	4222 2103 21
RT03-27	Drive Pawl Spring	4222 2127 42
RT03-28	Reaction Arm Lever	4222 2103 24
RT03-29	Piston Rod	4222 2103 27
RT03-31	Shroud	4222 2103 30
RT03-32	Shroud Screws	4222 2103 33
RT03-33	Secondary Drive Pawl Spring	4222 2103 36
RT03-34	Reaction Arm Plate	4222 2103 39
RT03-37	Reaction Arm Plate Screws	4222 2103 42
RT03-38	Reaction Arm Lever Spring	4222 2103 45
RT03-39	Disengagement Lever Screw	4222 2103 48
RT03-40	Primary Drive Pawl Roll Pin	4222 2103 51
RT03-41	Secondary Drive Pawl Pin	4222 2103 54
RT03-42	Reaction Pawl Roll Pin	4222 2103 57
RT03-43	Reaction Arm Boot with Pins	4222 2103 60
RT03-44	Reaction Arm Boot Pin	4222 2103 63
RT03-45	Reaction Arm Lever Pin	4222 2103 66
RT03-48	Access Plug	4222 2103 69
RT03-58	Shroud Spring Screw	4222 2103 72
RT03-59	Shroud Spring	4222 2103 75
RT03-61	Piston Rod Assembly	4222 2127 45
RT03-62	Housing Seal Kit	4222 2103 78
RT03-63	Drive Pawl Assembly	4222 2127 48
RT03-64	Roll Pin Kit	4222 2127 51
RT03-65	Spring Kit	4222 2127 54
RT-SWIVEL-M	Medium Swivel Assembly	4222 2100 09
RT-SK-M	Medium Swivel Seal Kit	4222 2130 87

RT-05

Description	Part Description	Ordering No.
RT05-01	Housing	4222 2127 57
RT05-03	Reaction Arm Assembly	4222 2127 60
RT05-04	Drive Plate	4222 2103 81
RT05-05	Square Drive	4222 2103 84
RT05-06	Ratchet Spline	4222 2103 87
RT05-07	Drive Bushing	4222 2103 90
RT05-08	Drive Sleeve Spline	4222 2103 93
RT05-10	Reaction Pawl	4222 2103 96
RT05-11	Drive Retainer	4222 2103 99
RT05-13	Drive Plate Roll Pin	4222 2104 02
RT05-15	Disengagement Lever	4222 2104 05
RT05-17	Piston Rod End	4222 2104 08
RT05-18	Reaction Pawl Spring	4222 2104 11
RT05-19	Rod End Pin	4222 2104 14
RT05-20	Drive Sleeve Retaining Ring	4222 2104 17
RT05-24	Piston Sleeve	4222 2104 20
RT05-25	Piston	4222 2104 23
RT05-26	Cylinder End Cap	4222 2104 26
RT05-27	Drive Pawl Spring	4222 2127 63
RT05-28	Reaction Arm Lever	4222 2127 66
RT05-29	Piston Rod	4222 2104 29
RT05-31	Shroud	4222 2104 32
RT05-32	Shroud Screw	4222 2127 69
RT05-33	Secondary Drive Pawl Spring	4222 2104 35
RT05-34	Reaction Arm Plate	4222 2104 38
RT05-37	Reaction Arm Plate Screws	4222 2104 39
RT05-38	Reaction Arm Lever Spring	4222 2104 41
RT05-39	Disengagement Lever Screw	4222 2104 44
RT05-40	Primary Drive Pawl Roll Pin	4222 2104 47
RT05-41	Secondary Drive Pawl Pin	4222 2104 50
RT05-42	Reaction Pawl Roll Pin	4222 2104 53
RT05-43	Reaction Arm Boot with Pins	4222 2104 56
RT05-44	Reaction Arm Boot Pin	4222 2104 59
RT05-45	Reaction Arm Lever Pin	4222 2105 41
RT05-48	Access Plug	4222 2104 62
RT05-58	Shroud Spring Screw	4222 2104 65
RT05-59	Shroud Spring	4222 2104 68
RT05-61	Piston Rod Assembly	4222 2104 71
RT05-62	Housing Seal Kit	4222 2104 74
RT05-63	Drive Pawl Assembly	4222 2104 77
RT05-63-1	Drive Pawl Assembly part 1	4222 2104 78
RT05-63-2	Drive Pawl Assembly part 2	4222 2104 79
RT05-65	Spring Kit	4222 2127 75
RT-SWIVEL-M	Medium Swivel Assembly	4222 2100 09
RT-SK-M	Medium Swivel Seal Kit	4222 2130 87

RT SERIES SPARE PARTS ORDERING NUMBERS

RT-08

Description	Part Description	Ordering No.
RT08-01	Housing	4222 2104 80
RT08-03	Reaction Arm Assembly	4222 2104 83
RT08-04	Drive Plate	4222 2104 86
RT08-05	Square Drive	4222 2104 89
RT08-06	Ratchet Spline	4222 2104 92
RT08-07	Drive Bushing	4222 2104 95
RT08-08	Drive Sleeve Spline	4222 2104 98
RT08-10	Reaction Pawl	4222 2105 01
RT08-11	Drive Retainer	4222 2105 04
RT08-13	Drive Plate Roll Pin	4222 2127 81
RT08-15	Disengagement Lever	4222 2105 07
RT08-17	Piston Rod End	4222 2105 10
RT08-18	Reaction Pawl Spring	4222 2127 84
RT08-19	Rod End Pin	4222 2105 13
RT08-20	Drive Sleeve Retaining Ring	4222 2127 87
RT08-24	Piston Sleeve	4222 2105 16
RT08-25	Piston	4222 2105 19
RT08-26	Cylinder End Cap	4222 2105 22
RT08-27	Drive Pawl Spring	4222 2127 90
RT08-28	Reaction Arm Lever	4222 2105 25
RT08-29	Piston Rod	4222 2105 28
RT08-31	Shroud	4222 2105 31
RT08-32	Shroud Screws	4222 2127 93
RT08-33	Secondary Drive Pawl Pin	4222 2127 96
RT08-34	Reaction Arm Plate	4222 2105 34
RT08-37	Reaction Arm Plate Screws	4222 2127 99
RT08-38	Reaction Arm Lever Spring	4222 2128 02
RT08-39	Disengagement Lever Screw	4222 2128 05
RT08-40	Primary Drive Pawl Roll Pin	4222 2128 06
RT08-41	Secondary Drive Pawl Pin	4222 2128 07
RT08-42	Reaction Pawl Roll Pin	4222 2128 09
RT08-43	Reaction Arm Boot with Pins	4222 2105 37
RT08-44	Reaction Arm Boot Pin	4222 2128 08
RT08-45	Reaction Arm Lever Pin	4222 2105 40
RT08-48	Access Plug	4222 2105 43
RT08-58	Shroud Spring Screw	4222 2128 11
RT08-59	Shroud Spring	4222 2128 14
RT08-61	Piston Rod Assembly	4222 2128 17
RT08-62	Housing Seal Kit	4222 2105 46
RT08-63	Drive Pawl Assembly	4222 2105 49
RT08-64	Roll Pin Kit	4222 2128 20
RT08-65	Screw Kit	4222 2128 23
RT-SWIVEL-M	Medium Swivel Assembly	4222 2100 09
RT-SK-M	Medium Swivel Seal Kit	4222 2130 87

RT-10

Description	Part Description	Ordering No.
RT10-01	Housing	4222 2105 55
RT10-03	Reaction Arm Assembly	4222 2105 58
RT10-04	Drive Plate	4222 2105 61
RT10-05	Square Drive	4222 2105 64
RT10-06	Ratchet Spline	4222 2105 67
RT10-07	Drive Bushing	4222 2105 70
RT10-08	Drive Sleeve Spine	4222 2105 73
RT10-10	Reaction Pawl	4222 2105 76
RT10-11	Drive Retainer	4222 2105 79
RT10-13	Drive Plate Roll Pin	4222 2105 82
RT10-15	Disengagement Lever	4222 2105 85
RT10-17	Piston Rod End	4222 2105 88
RT10-18	Reaction Pawl Spring	4222 2105 91
RT10-19	Rod End Pin	4222 2105 94
RT10-20	Drive Sleeve Retaining Ring	4222 2128 29
RT10-24	Piston Sleeve	4222 2105 97
RT10-25	Piston	4222 2106 00
RT10-26	Cylinder End Cap	4222 2106 03
RT10-27	Drive Pawl Spring	4222 2106 06
RT10-28	Reaction Arm Lever	4222 2106 09
RT10-29	Piston Rod	4222 2106 12
RT10-31	Shroud	4222 2128 32
RT10-32	Shroud Screws	4222 2128 35
RT10-33	Secondary Drive Pawl Spring	4222 2106 15
RT10-34	Reaction Arm Plate	4222 2106 18
RT10-37	Reaction Arm Plate Screws	4222 2128 38
RT10-38	Reaction Arm Lever Spring	4222 2128 41
RT10-39	Disengagement Lever Screw	4222 2128 44
RT10-40	Primary Drive Pawl Roll Pin	4222 2128 47
RT10-41	Secondary Drive Pawl Pin	4222 2106 21
RT10-42	Reaction Pawl Roll Pin	4222 2106 24
RT10-43	Reaction Arm Boot with Pins	4222 2106 27
RT10-44	Reaction Arm Boot Pin	4222 2128 50
RT10-45	Reaction Arm Lever Pin	4222 2128 53
RT10-48	Access Plug	4222 2106 30
RT10-58	Shroud Spring Screw	4222 2106 33
RT10-59	Shroud Spring	4222 2128 56
RT10-61	Piston Rod Assembly	4222 2128 59
RT10-62	Housing Seal Kit	4222 2106 36
RT10-63	Drive Pawl Assembly	4222 2106 39
RT10-64	Roll Pin Kit	4222 2128 62
RT10-65	Spring Kit	4222 2128 65
RT-SWIVEL-L	Large Swivel Assembly	4222 2100 06
RT-SK-L	Large Swivel Seal Kit	4222 2100 00

RT-20

Description	Part Description	Ordering No.
RT20-01	Housing	4222 2128 68
RT20-03	Reaction Arm Assembly	4222 2128 71
RT20-04	Drive Plate	4222 2128 74
RT20-05	Square Drive	4222 2128 77
RT20-06	Ratchet Spline	4222 2128 80
RT20-07	Drive Bushing	4222 2106 42
RT20-08	Drive Sleeve Spine	4222 2106 45
RT20-10	Reaction Pawl	4222 2128 83
RT20-11	Drive Retainer	4222 2106 48
RT20-13	Drive Plate Roll Pin	4222 2128 86
RT20-15	Disengagement Lever	4222 2106 51
RT20-17	Piston Rod Connector	4222 2128 89
RT20-18	Reaction Pawl Spring	4222 2128 92
RT20-19	Rod End Pin	4222 2106 54
RT20-20	Drive Sleeve Retaining Ring	4222 2128 95
RT20-24	Piston Sleeve	4222 2128 98
RT20-25	Piston with Seal	4222 2129 01
RT20-26	Cylinder End Cap	4222 2129 04
RT20-27	Drive Pawl Spring	4222 2129 07
RT20-28	Reaction Arm Lever	4222 2129 10
RT20-29	Piston Rod	4222 2129 13
RT20-31	Shroud	4222 2129 16
RT20-32	Shroud Screws	4222 2129 19
RT20-33	Secondary Drive Plate Spring	4222 2129 22
RT20-34	Reaction Arm Plate	4222 2129 25
RT20-37	Reaction Arm Plate Screws	4222 2129 28
RT20-38	Reaction Arm Lever Spring	4222 2129 26
RT20-39	Disengagement Lever Screw	4222 2129 27
RT20-40	Primary Drive Pawl Roll Pin	4222 2129 29
RT20-41	Secondary Drive Pawl Roll Pin	4222 2129 30
RT20-42	Reaction Pawl Roll Pin	4222 2129 32
RT20-43	Reaction Arm Boot with Pins	4222 2129 33
RT20-61	Piston Rod Assembly	4222 2129 31
RT20-62	Housing Seal Kit	4222 2106 57
RT20-63	Drive Pawl Assembly	4222 2129 34
RT-SWIVEL-L	Large Swivel Assembly	4222 2100 06
RT-SK-L	Large Swivel Seal Kit	4222 2100 00

RT-25

Description	Part Description	Ordering No.
RT25-01	Housing	4222 2129 37
RT25-03	Reaction Arm Assembly	4222 2106 60
RT25-04	Drive Plate	4222 2129 40
RT25-05	Square Drive	4222 2129 43
RT25-06	Ratchet Spline	4222 2129 46
RT25-07	Drive Bushing	4222 2129 49
RT25-08	Drive Sleeve Spine	4222 2129 52
RT25-10	Reaction Pawl	4222 2106 63
RT25-11	Drive Retainer	4222 2129 55
RT25-13	Drive Plate Roll Pin	4222 2129 58
RT25-15	Disengagement Lever	4222 2106 66
RT25-17	Piston Rod Connector	4222 2129 61
RT25-18	Reaction Pawl Spring	4222 2129 64
RT25-19	Rod End Pin	4222 2129 67
RT25-20	Drive Sleeve Retaining Ring	4222 2129 70
RT25-24	Piston Sleeve	4222 2129 73
RT25-25	Piston	4222 2106 69
RT25-26	Cylinder end cap	4222 2106 70
RT25-28	Reaction Arm Lever	4222 2129 76
RT25-29	Piston Rod	4222 2129 79
RT25-31	Shroud	4222 2129 82
RT25-37	Reaction Arm Plate Screw	4222 2129 85
RT25-38	Reaction Arm Lever Spring	4222 2129 88
RT25-43	Reaction Arm Boot with Pins	4222 2129 91
RT25-59	Shroud Spring	4222 2129 94
RT25-61	Piston Rod Assembly	4222 2129 97
RT25-62	Housing Seal Kit	4222 2106 72
RT25-63	Drive Pawl Assembly	4222 2106 75
RT-SWIVEL-L	Large Swivel Assembly	4222 2100 06
RT-SK-L	Large Swivel Seal Kit	4222 2100 00

RT-50

Description	Part Description	Ordering No.
RT50-05	Square Drive	4222 2130 27
RT50-07	Drive Bushing	4222 2106 78
RT50-08	Drive Sleeve Spine	4222 2130 30
RT50-11	Drive Retainer	4222 2130 33
RT50-15	Disengagement Lever	4222 2130 36
RT50-19	Rod End Pin	4222 2130 39
RT50-28	Reaction Arm Lever	4222 2106 82
RT50-31	Shroud	4222 2130 42
RT50-32	Shroud Screws	4222 2130 45
RT50-43	Reaction Arm Boot	4222 2130 51
RT50-62	Housing Seal Kit	4222 2106 81
RT-SWIVEL-L	Large Swivel Assembly	4222 2100 06
RT-SK-L	Large Swivel Seal Kit	4222 2100 00

Contact your local representative to obtain ordering numbers on other spare part items.

RTX SERIES

LOW PROFILE HYDRAULIC TORQUE WRENCH

Atlas Copco RTX Series Low Profile Hydraulic Torque Wrenches eliminate problems with tight clearances. Repeatability is +/-1% and output accuracy is at +/-3%.

AIRCRAFT ALUMINUM ALLOY

Most of the exterior is made up of aircraft-quality aluminum alloy, which provides amazing strength while keeping weight to a minimum.

HIGH STRENGTH STEEL ALLOY

Heavy duty contact points ensure long tool life.

LARGEST HEX RANGE

Largest range of hex sizes available. Torque output is consistent for any link size. Available in Reduced Radius and 12 point.

MULTI-AXIS SWIVEL

Greater range of movement on multiple axis allows the hose to move easier compared to one axis swivels.

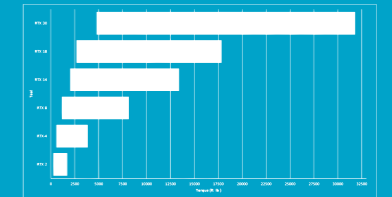
AUTOMATIC ENGAGEMENT

The powerhead engages the direct fit ratchet link automatically.

REACTION OPTIONS AVAILABLE

The in-line reaction pad works beautifully on most applications. For special applications, Atlas Copco offers onside reaction arms and Alco arms to increase reaction points.

+/- 3 %
Accuracy

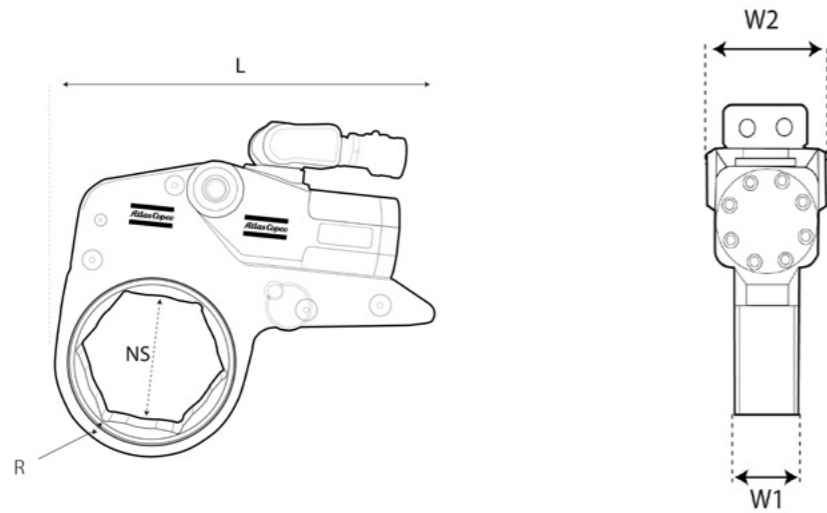


Ranges from 3/4" to 6 1/2"



RTX Series
Hydraulic Torque Wrench Datasheet

RTX SERIES TECHNICAL INFORMATION



Model	Dimensions									
	L		NS (based on ratchet link size)		R		W1		W2	
	in	mm	in	mm	in	mm	in	mm	in	mm
RTX-02	7.2	183	3/4 – 2-9/16	19-65	0.35	9	1.26	32	1.92	49
RTX-04	9.7	248	1-5/16 - 3-1/8	32-80	0.47	12	1.65	42	2.56	65
RTX-08	12.1	308	1-13/16 - 3-7/8	46-100	0.59	15	2.08	53	3.22	82
RTX-14	14.6	372	2 – 4-5/8	50-120	0.72	18.5	2.48	63	3.89	99
RTX-18	15.5	393	3 - 5-1/2	75-140	.87	22.2	2.75	70	4.37	111
RTX-30	18	457	3-9/16- 6-1/8	90-155	1	25.4	3.26	83	5.28	132

Model	Ratchet Link Hex Size*		Torque Range		Weight		Ordering No.
	in	mm	ft.lb.	Nm	lb	kg	
RTX-02	3/4 – 2-3/4	19-65	255-1710	346-2318	4.5	2	8434 2021 90
RTX-04	1 - 3-1/8	25-85	580-3855	786-5226	9.7	4.4	8434 2021 95
RTX-08	1-5/8 - 4-1/8	46-105	1143-8151	1549-11049	19.5	9	8434 2022 00
RTX-14	2-1/2 – 5-3/8	60-135	2010-13400	2725-18165	33	15	8434 2116 58
RTX-18	3-1/2 -5-1/2	75-140	2676-17845	3628-24191	51	23	8434 2022 05
RTX-30	3-1/2 -6-1/2	90-165	4770-31800	6466-43108	78	35.5	8434 2022 10

Designs and specifications are subject to change without notice or obligation. Read all safety instructions in the manual before usage.

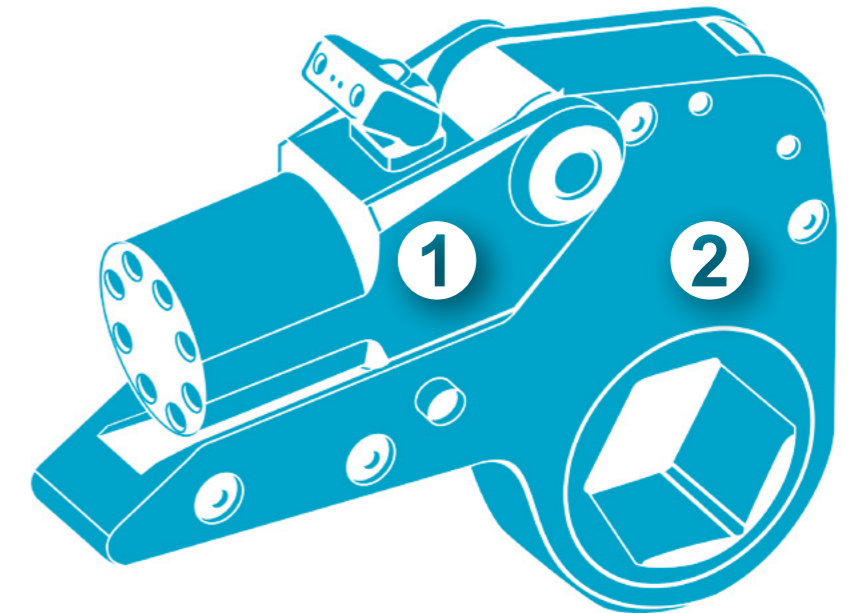
CHOOSING YOUR RTX SERIES HYDRAULIC TORQUE WRENCH

1

RTX Powerhead
Choose your torque range.

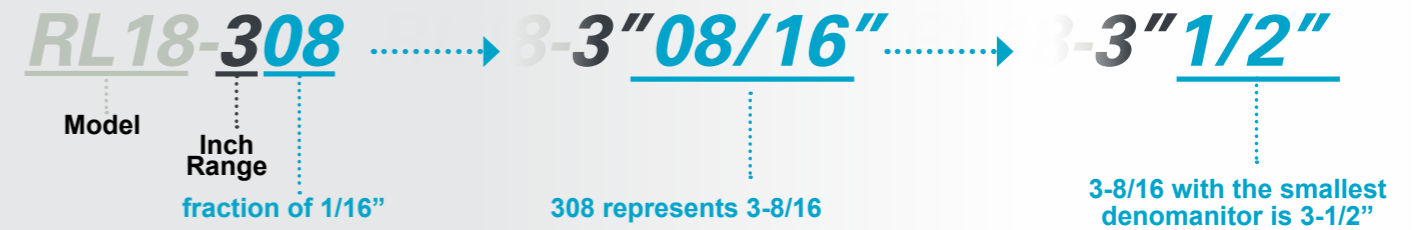
2

Direct Fit Ratchet Links
Choose the Across Flat Hex Link Size* needed for your application. Available in Reduced Radius#.



How do I select the link size on the following pages?

In this catalog, sizes are expressed as MM for metric while imperial have a 3 digit designation. How can you tell the sizes?



First number indicates inch, and the following two numbers indicate an increment of 1/16". For example **RL18-308** would be a link that is 3-8/16, with 8/16 being 1/2. Another example and **RL04-105** would be a 1-5/16" link. When the link sizes in metric and imperial are the same size, we have it listed together. For example: **RL14-104/32MM** would be a link for a nut that is 1-1/4 (4/16 being 1/4) but would also be used for a 32MM nut.

*RTX Hydraulic Torque Wrench is uniquely designed to have consistent torque output, regardless of hex size link. That means that you don't have to worry about different torque charts when changing direct hex link size.
#Reduced Radius Ratchets (RR) are .062" (1.57 mm) reduction compared to the standard size links.

RTX-02 RATCHET LINK SIZES



Use the following link sizes with RTX-02, which has a torque range of 255 to 1710 ft. lb.

Model	Ordering No.	Model	Ordering No.
RL02-17MM	8434 2132 41	RL02-110/41MM RR	8434 2021 08
RL02-012/19MM RR	8434 2132 47	RL02-111/43MM	8434 2132 26
RL02-012/19MM	8434 2131 84	RL02-112	8434 2132 29
RL02-013	8434 2131 87	RL02-113/46MM	8434 2132 32
RL02-22MM	8434 2132 74	RL02-113/46MM RR	8434 2132 35
RL02-014	8434 2020 00	RL02-114	8434 2020 06
RL02-015	8434 2131 90	RL02-115	8434 2132 38
RL02-24MM	8434 2020 54	RL02-50MM	8434 2021 86
RL02-100/25MM	8434 2020 03	RL02-200	8434 2132 50
RL02-100/25MM 12PT	8434 2131 93	RL02-200 RR	8434 2021 74
RL02-101/27MM	8434 2131 96	RL02-201	8434 2132 53
RL02-102	8434 2131 99	RL02-202	8434 2132 56
RL02-102 12PT	8434 2132 02	RL02-203/55MM	8434 2132 59
RL02-103/30MM	8434 2132 05	RL02-204	8434 2132 62
RL02-104/32MM 12PT	8434 2132 11	RL02-58MM	8434 2132 89
RL02-104/32MM	8434 2132 08	RL02-205	8434 2132 65
RL02-105	8434 2132 14	RL02-206/60MM	8434 2021 47
RL02-34	8434 2132 81	RL02-207	8434 2132 68
RL02-106	8434 2132 17	RL02-208	8434 2132 71
RL02-107/36MM	8434 2021 68	RL02-209/65MM	8434 2021 50
RL02-107/36MM RR	8434 2021 83	RL02-210	8434 2021 51
RL02-108/38MM	8434 2132 20	RL02-212	8434 2021 59
RL02-109	8434 2132 23	RL02-212/70MM	8434 2059 29
RL02-110/41MM	8434 2021 07	RL02-213 13/16	8434 2021 60
		RL02-215/75MM	8434 2132 92
		8434 2132 92	RL02-215/75MM

12 Point Hexagonal, Reduced Radius and Custom Sizes available upon request.

RTX-04 RATCHET LINK SIZES



Use the following link sizes with RTX-04, which has a torque range of 580 to 3,855 ft. lb.

Model	Ordering No.	Model	Ordering No.
RL04-15MM	8434 2133 47	RL04-54MM	8434 2134 33
RL04-17MM	8434 2133 48	RL04-55MM RR	8434 2134 39
RL04-014/22MM	8434 2133 19	RL04-203/55MM	8434 2021 71
RL04-24MM	8434 2133 93	RL04-204	8434 2133 58
RL04-100/25MM	8434 2133 22	RL04-58MM	8434 2134 42
RL04-101/27MM	8434 2020 63	RL04-205	8434 2133 61
RL04-102	8434 2133 23	RL04-206/60MM	8434 2133 64
RL04-103/30MM	8434 2133 25	RL04-207	8434 2133 65
RL04-104/32MM	8434 2020 15	RL04-208	8434 2133 67
RL04-104/32MM 12PT	8434 2134 15	RL04-64MM	8434 2134 46
RL04-105	8434 2133 32	RL04-209/65MM	8434 2133 70
RL04-106	8434 2133 34	RL04-210	8434 2133 73
RL04-107/36MM	8434 2020 09	RL04-211	8434 2133 76
RL04-108/38MM 12PT	8434 2133 37	RL04-212/70MM RR	8434 2133 82
RL04-108/38MM	8434 2133 40	RL04-212/70MM	8434 2021 62
RL04-109	8434 2133 41	RL04-71MM	8434 2021 63
RL04-110/41MM	8434 2021 35	RL04-213	8434 2133 85
RL04-42MM	8434 2134 24	RL04-214	8434 2133 88
RL04-111/43MM	8434 2020 12	RL04-215/75MM	8434 2020 21
RL04-112	8434 2020 60	RL04-300	8434 2134 00
RL04-113/46MM	8434 2021 53	RL04-77MM	8434 2020 22
RL04-113/46MM RR	8434 2116 01	RL04-301	8434 2134 03
RL04-114	8434 2133 43	RL04-302/79MM	8434 2134 06
RL04-48MM	8434 2134 27	RL04-80MM	8434 2134 51
RL04-115	8434 2133 46	RL04-303	8434 2134 07
RL04-50MM	8434 2134 30	RL04-85MM	8434 2134 54
RL04-200	8434 2133 49	RL04-306	8434 2134 08
RL04-201	8434 2133 52	RL04-308	8434 2134 09
RL04-202	8434 2133 55	RL04-312/95MM	8434 2059 31

12 Point Hexagonal, Reduced Radius and Custom Sizes available upon request.

RTX-08 RATCHET LINK SIZES



Use the following link sizes with RTX-08, which has a torque range of 1,143 to 8,151 ft. lb.

Model	Ordering No.	Model	Ordering No.	Model	Ordering No.
RL08-102	8434 2134 93	RL08-63MM	8434 2020 31	RL08-85MM	8434 2021 11
RL08-36mm	8434 2059 34	RL08-208	8434 2135 26	RL08-306	8434 2021 02
RL08-108/38MM 12PT	8434 2134 99	RL08-209/65MM	8434 2116 04	RL08-308	8434 2020 74
RL08-110/41MM	8434 2135 02	RL08-210	8434 2135 29	RL08-309/90MM	8434 2135 38
RL08-111/43MM	8434 2135 08	RL08-67MM	8434 2020 32	RL08-310	8434 2020 27
RL08-113/46MM	8434 2020 66	RL08-212/70MM	8434 2135 59	RL08-312/95MM	8434 2135 41
RL08-114	8434 2135 11	RL08-71MM	8434 2135 62	RL08-314	8434 2021 65
RL08-50MM	8434 2135 47	RL08-213	8434 2135 32	RL08-315/100MM	8434 2020 24
RL08-200	8434 2020 68	RL08-215/75MM	8434 2135 65	RL08-400	8434 2135 44
RL08-200 12PT	8434 2020 67	RL08-300	8434 2135 35	RL08-401	8434 2020 75
RL08-201	8434 2135 17	RL08-77MM	8434 2135 68	RL08-105MM	8434 2134 96
RL08-54MM	8434 2135 50	RL08-78MM	8434 2135 71	RL08-404	8434 2020 78
RL08-203/55MM	8434 2020 69	RL08-302	8434 2020 72	RL08-110MM	8434 2135 05
RL08-204	8434 2135 20	RL08-80MM	8434 2135 74	RL08-115MM	8434 2135 14
RL08-206/60MM	8434 2020 70	RL08-304	8434 2020 73		
RL08-207	8434 2135 23	RL08-305	8434 2020 77		

RTX-14 RATCHET LINK SIZES



Use the following link sizes with RTX-14, which has a torque range of 2,010 to 13,400 ft. lb.

Model	Ordering No.	Model	Ordering No.	Model	Ordering No.
RL14-104/32MM	8434 2135 99	RL14-77MM	8434 2021 30	RL14-401	8434 2021 26
RL14-108/38MM	8434 2136 02	RL14-301	8434 2136 28	RL14-402	8434 2136 46
RL14-200	8434 2020 33	RL14-302	8434 2136 31	RL14-105MM	8434 2135 98
RL14-203/55MM	8434 2020 36	RL14-80MM	8434 2021 20	RL14-403	8434 2136 47
RL14-57MM	8434 2136 60	RL14-303	8434 2136 32	RL14-404	8434 2020 84
RL14-204	8434 2020 37	RL14-304	8434 2136 30	RL14-405	8434 2020 83
RL14-206/60MM	8434 2136 13	RL14-85MM	8434 2021 32	RL14-110MM	8434 2136 01
RL14-208	8434 2136 16	RL14-306	8434 2136 33	RL14-408	8434 2136 49
RL14-209/65MM	8434 2020 39	RL14-308	8434 2136 34	RL14-115MM	8434 2136 04
RL14-210	8434 2136 19	RL14-309/90MM	8434 2136 37	RL14-409	8434 2136 52
RL14-67MM	8434 2136 64	RL14-310	8434 2136 38	RL14-410	8434 2136 55
RL14-211	8434 2136 20	RL14-311	8434 2136 39	RL14-120MM	8434 2136 07
RL14-212/70MM	8434 2136 66	RL14-312/95MM	8434 2020 42	RL14-500	8434 2021 41
RL14-71MM	8434 2136 67	RL14-98MM	8434 2136 70	RL14-130MM	8434 2136 10
RL14-213	8434 2136 22	RL14-314	8434 2020 45	RL14-506	8434 2136 58
RL14-215/75MM	8434 2021 29	RL14-100MM	8434 2021 14		
RL14-300	8434 2136 25	RL14-400	8434 2136 43		

RTX-18 RATCHET LINK SIZES



Use the following link sizes with RTX-18, which has a torque range of 2,676 to 17,845 ft lb.

Model	Ordering No.	Model	Ordering No.	Model	Ordering No.
RL18-105	8434 2020 91	RL18-309/90MM	8434 2020 86	RL18-140MM	8434 2020 89
RL18-106	8434 2020 92	RL18-312/95MM	8434 2020 90	RL18-510	8434 2021 22
RL18-203/55MM	8434 2137 10	RL18-314	8434 2137 15	RL18-145MM	8434 2020 94
RL18-206/60MM	8434 2137 11	RL18-315/100MM	8434 2020 88	RL18-512	8434 2020 96
RL18-209/65MM	8434 2137 12	RL18-401	8434 2020 47	RL18-515	8434 2021 24
RL18-212/70MM	8434 2059 47	RL18-105MM	8434 2136 88	RL18-151MM	8434 2137 09
RL18-71MM	8434 2137 14	RL18-106MM	8434 2136 91	RL18-602	8434 2021 25
RL18-215/75MM	8434 2137 16	RL18-404	8434 2020 48		
RL18-300	8434 2137 13	RL18-110MM	8434 2136 94		
RL18-77MM	8434 2137 17	RL18-115MM	8434 2136 97		
RL18-302	8434 2137 08	RL18-410	8434 2020 93		
RL18-80MM	8434 2137 18	RL18-120MM	8434 2137 00		
RL18-85MM	8434 2137 21	RL18-500	8434 2021 56		
RL18-306	8434 2020 85	RL18-130MM	8434 2137 03		
RL18-308	8434 2020 87	RL18-135MM	8434 2137 06		
RL18-90MM	8434 2137 24	RL18-506	8434 2021 23		

12 Point Hexagonal, Reduced Radius and Custom Sizes available upon request.

RTX-30 RATCHET LINK SIZES

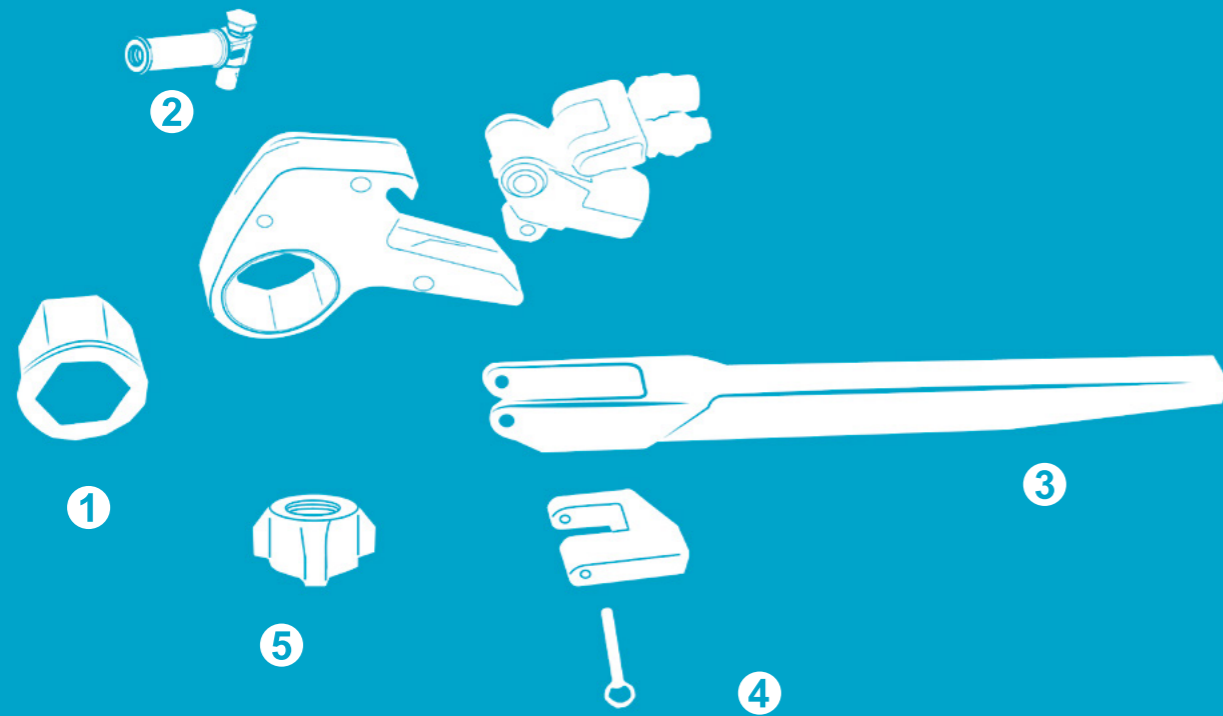


Use the following link sizes with RTX-30, which has a torque range of 4,770 to 31,800 ft lb.

Model	Ordering No.	Model	Ordering No.	Model	Ordering No.
RL30-209/65MM	8434 2137 72	RL30-110MM	8434 2137 39	RL30-512	8434 2137 93
RL30-215/75MM	8434 2137 73	RL30-408	8434 2021 01	RL30-150MM	8434 2137 60
RL30-302	8434 2137 75	RL30-115MM	8434 2137 42	RL30-515	8434 2137 96
RL30-80MM	8434 2138 14	RL30-117MM	8434 2020 56	RL30-152MM	8434 2020 61
RL30-85MM	8434 2138 17	RL30-410	8434 2021 00	RL30-600	8434 2138 02
RL30-306	8434 2137 78	RL30-120MM	8434 2137 45	RL30-155MM	8434 2137 63
RL30-308	8434 2137 81	RL30-123MM	8434 2137 48	RL30-602	8434 2020 59
RL30-90MM	8434 2138 18	RL30-124MM	8434 2020 55	RL30-160MM	8434 2137 66
RL30-312/95MM	8434 2137 84	RL30-125MM	8434 2137 51	RL30-606	8434 2138 05
RL30-98MM	8434 2138 20	RL30-500	8434 2020 99	RL30-608	8434 2138 08
RL30-314	8434 2137 87	RL30-130MM	8434 2020 53	RL30-170MM	8434 2137 69
RL30-315/100MM	8434 2137 33	RL30-133MM	8434 2020 58	RL30-175MM	8434 2138 22
RL30-400	8434 2133 86	RL30-135MM	8434 2137 54	RL30-701	8434 2138 11
RL30-401	8434 2137 88	RL30-506	8434 2020 51		
RL30-402	8434 2137 89	RL30-508	8434 2137 92		
RL30-105MM	8434 2137 36	RL30-140MM	8434 2138 21		
RL30-404	8434 2137 90	RL30-145MM	8434 2137 57		

12 Point Hexagonal, Reduced Radius and Custom Sizes available upon request.

LOW PROFILE HYDRAULIC TORQUE WRENCH ACCESSORIES



- 1 Insert Hex Reducer
- 2 Safety Handle for RTX
- 3 Alco Arm
- 4 Onside Reaction Arm
- 5 Safety Nut

1 INSERT HEX REDUCER



Starting Size	Reduces To	Ordering No.
2 3/4	1 5/8	4222 2134 17
2 3/4	1 13/16	4222 2134 20
2 3/4	1 7/8	4222 2134 23
46mm	36mm	4222 2134 26
50mm	41mm	4222 2134 29
50mm	46mm	4222 2134 32
1 13/16	30mm	4222 2119 58
1 13/16	36mm	4222 2119 62
1 13/16	42mm	4222 2119 66
2	1 3/4	4222 2137 74
2	1 13/16	4222 2137 77
2 1/4	1 5/16	4222 2137 80
2 1/4	1 1/2	4222 2137 83
2 1/4	1 7/8	4222 2137 86
2 1/2	1 7/8	4222 2119 70
2 3/4	2 1/2	4222 2137 89
2 3/4	2 1/16	4222 2137 92
2 3/4	2 1/8	4222 2137 95
2 3/4	2 3/16	4222 2137 98
2 3/4	2 1/4	4222 2138 01
2 3/4	2 3/8	4222 2138 04

Starting Size	Reduces To	Ordering No.
2 15/16	2 9/16	4222 2138 07
3 1/8	1	4222 2138 10
3 1/8	1 1/2	4222 2138 13
3 1/8	1 5/8	4222 2138 16
3 1/8	1 3/4	4222 2138 19
3 1/8	2	4222 2138 22
3 1/8	2 3/8	4222 2138 25
50mm	19mm	4222 2138 28
50mm	32mm	4222 2138 31
50mm	41mm	4222 2138 34
50mm	42mm	4222 2138 37
50mm	46mm	4222 2138 40
55mm	50mm	4222 2138 43
65mm	55mm	4222 2119 74
70mm	60mm	4222 2119 78
70mm	65mm	4222 2119 82
100mm	80mm	4222 2140 62
2 3/16	2	4222 2140 65
3 1/8	2 15/16	4222 2140 68
3 1/8	50mm	4222 2140 71
3 1/8	55mm	4222 2140 74
3 1/8	60mm	4222 2140 77
3 7/8	3 1/2	4222 2140 80
60mm	50mm	4222 2122 07
60mm	55mm	4222 2122 11
70mm	46mm	4222 2140 83

2 SAFETY HANDLE



Model	Ordering No.
Handle Kit RT-02	8434 2170 35
Handle Kit RT-04	8434 2170 36
Handle Kit RT-08	8434 2170 37
Handle Kit RT-14	8434 2170 38
Handle Kit RT-18	8434 2170 39
Handle Kit RT-30	8434 2170 40

3 ALCO ARM



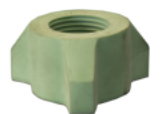
Model	Ordering No.
RTX02-ALC	8434 2057 58
RTX04-ALC	8434 2057 60
RTX08-ALC	8434 2057 62
RTX14-ALC	8434 2057 64
RTX18-ALC	8434 2057 66
RTX30-ALC	8434 2057 67

4 ONSIDE REACTION ARM



Model	Ordering No.
RTX02-14	4222 2107 14
RTX04-14	4222 2109 27
RTX08-14	4222 2110 44
RTX14-14	4222 2141 22
RTX18-14	4222 2141 23
RTX30-14	4222 2144 43

5 SAFETY NUT



Stud Size	Ordering No.
2"	8434 2129 19
2-1/2"	8434 2129 18
2-1/4"	8434 2129 16
1-7/8"	8434 2129 15
3"	8434 2129 13
2-3/4"	8434 2129 12
1-3/4"	8434 2129 10
1-5/8"	8434 2129 09
1-1/2"	8434 2129 07
1-3/8"	8434 2129 06
1-1/4"	8434 2129 04
1-1/8"	8434 2129 03
1"	8434 2129 01
7/8"	8434 2129 00

EA TOOL

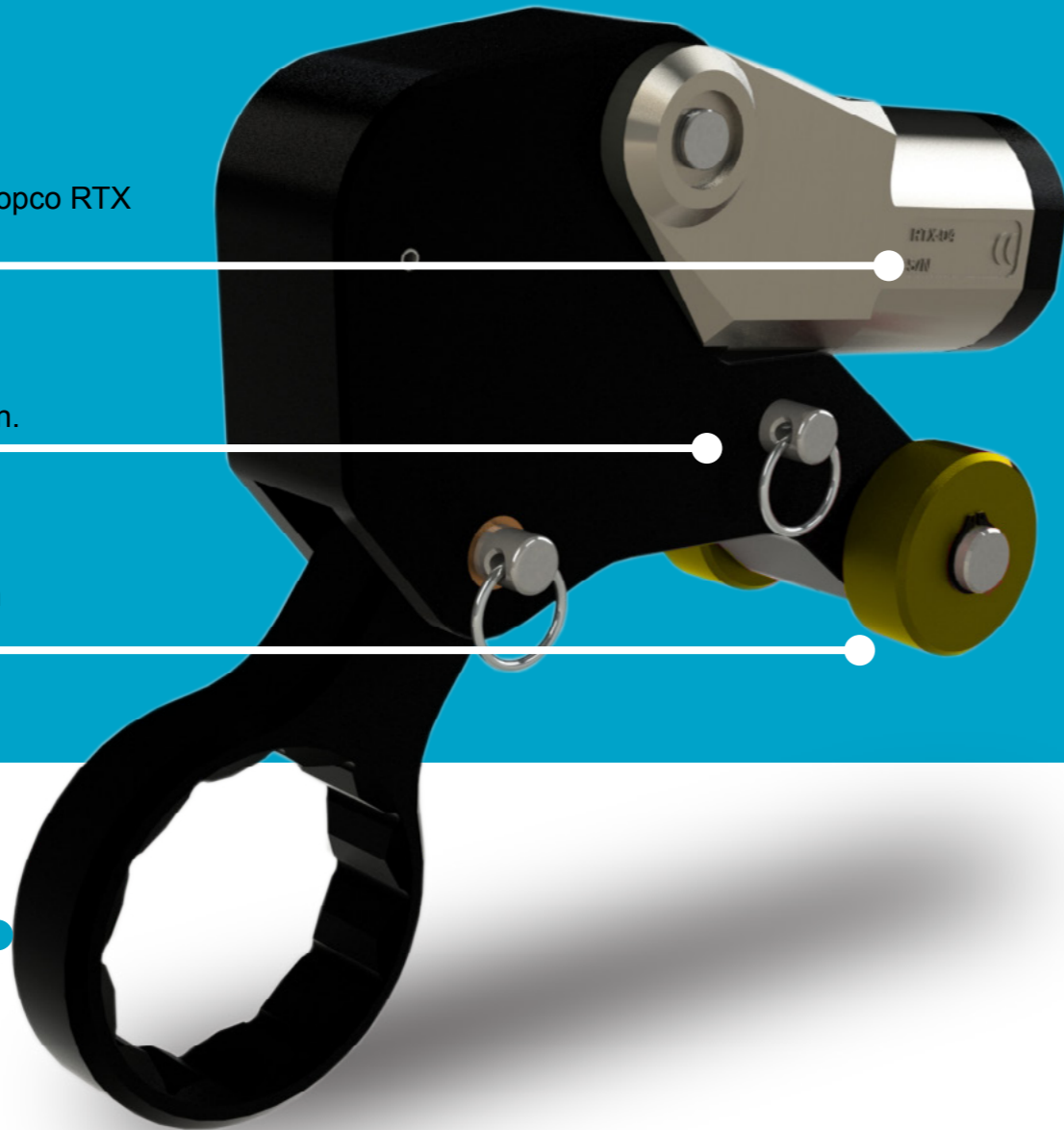
EXTREME ACCESS SPANNER

Connects with Atlas Copco RTX Series.

Secured with a link pin.

Minimal spanner width

Minimal spanner nose radius



The EA Tool is perfect for ultra-tight clearances where our reduced-radius ratchet links for RTX series won't fit. To choose the best one for your application, follow these steps:



Choose your power

The RTX powers the EA Spanner assembly. Choose your powerhead based on the torque values you will need.



Set up your link

Our link has been designed from the ground up to provide the strength needed while being extremely easy to set up.



Choose your spanner

Extreme Access spanners provide the durability and strength of our traditional ratchet links but can fit where traditional links won't. Choose open or closed type.



Open Spanners also available

Choose open or closed spanner to suit your application.

EA SPANNER ORDERING NUMBERS



“C” refers to closed spanner



“O” stands for open spanner such as this.



Description	Ordering No.
RTL-02 LOW PRO LINK	8434 2022 90
RTL-04 LOW PRO LINK	8434 2022 91
RTL-08 LOW PRO LINK	8434 2022 92
EA-02-012-C	8434 2165 13
EA-02-012-O	8434 2167 88
EA-02-013-C	8434 2165 14
EA-02-013-O	8434 2167 89
EA-02-014-C	8434 2165 15
EA-02-014-O	8434 2167 90
EA-02-015-C	8434 2165 16
EA-02-015-O	8434 2167 91
EA-02-100-C	8434 2165 18
EA-02-100-O	8434 2167 93
EA-02-102-C	8434 2165 20
EA-02-102-O	8434 2167 95
EA-02-103-C	8434 2165 21
EA-02-103-O	8434 2167 96
EA-02-104-C	8434 2165 22
EA-02-104-O	8434 2167 97
EA-02-105-C	8434 2165 24
EA-02-105-O	8434 2167 99
EA-02-106-C	8434 2165 25
EA-02-106-O	8434 2168 00
EA-02-107-C	8434 2165 27
EA-02-107-O	8434 2168 02
EA-02-108-C	8434 2165 28
EA-02-108-O	8434 2168 03
EA-02-109-C	8434 2165 29
EA-02-109-O	8434 2168 04
EA-02-110-C	8434 2165 31
EA-02-110-O	8434 2168 06
EA-02-111-C	8434 2165 33
EA-02-111-O	8434 2168 08
EA-02-112-C	8434 2165 34
EA-02-112-O	8434 2168 09
EA-02-113-C	8434 2165 35
EA-02-113-O	8434 2168 10
EA-02-114-C	8434 2165 36
EA-02-114-O	8434 2168 11
EA-02-115-C	8434 2165 37
EA-02-115-O	8434 2168 12
EA-02-200-C	8434 2165 38
EA-02-200-O	8434 2168 13
EA-02-201-C	8434 2165 39

Description	Ordering No.
EA-02-201-O	8434 2168 14
EA-02-202-C	8434 2165 40
EA-02-202-O	8434 2168 15
EA-02-203-C	8434 2165 42
EA-02-203-O	8434 2168 17
EA-02-204-C	8434 2165 43
EA-02-204-O	8434 2168 18
EA-02-205-C	8434 2165 44
EA-02-205-O	8434 2168 19
EA-02-206-C	8434 2165 46
EA-02-206-O	8434 2168 21
EA-02-207-C	8434 2165 47
EA-02-207-O	8434 2168 22
EA-02-208-C	8434 2165 48
EA-02-208-O	8434 2168 23
EA-02-209-C	8434 2165 49
EA-02-209-O	8434 2168 24
EA-02-210-C	8434 2165 50
EA-02-210-O	8434 2168 25
EA-02-211-C	8434 2165 51
EA-02-211-O	8434 2168 26
EA-02-212-C	8434 2165 52
EA-02-212-O	8434 2168 27
EA-02-213-C	8434 2165 54
EA-02-213-O	8434 2168 29
EA-02-214-C	8434 2165 55
EA-02-214-O	8434 2168 30
EA-02-215-C	8434 2165 56
EA-02-215-O	8434 2168 31
EA-02-24MM-C	8434 2165 17
EA-02-24MM-O	8434 2167 92
EA-02-27MM-C	8434 2165 19
EA-02-27MM-O	8434 2167 94
EA-02-32MM-C	8434 2165 23
EA-02-32MM-O	8434 2167 98
EA-02-36MM-C	8434 2165 26
EA-02-36MM-O	8434 2168 01
EA-02-41MM-C	8434 2165 30
EA-02-41MM-O	8434 2168 05
EA-02-42MM-C	8434 2165 32
EA-02-42MM-O	8434 2168 07
EA-02-50MM-C	8434 2022 04
EA-02-50MM-O	8434 2021 03
EA-02-55MM-C	8434 2165 41
EA-02-55MM-O	8434 2168 16
EA-02-60MM-C	8434 2165 45

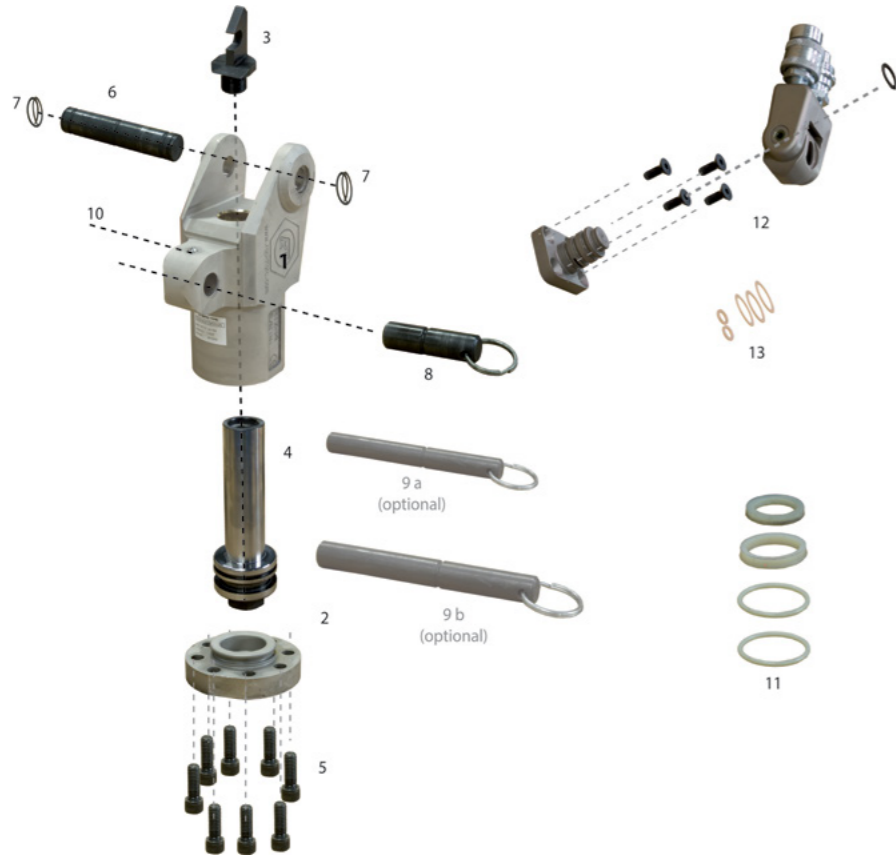
Description	Ordering No.
EA-02-60MM-O	8434 2168 20
EA-02-70MM-C	8434 2165 53
EA-02-70MM-O	8434 2168 28
EA-02-75MM-C	8434 2165 57
EA-02-75MM-O	8434 2168 32
EA-04-111-C	8434 2165 70
EA-04-111-O	8434 2168 45
EA-04-112-C	8434 2165 71
EA-04-112-O	8434 2168 46
EA-04-113-C	8434 2165 72
EA-04-113-O	8434 2168 47
EA-04-114-C	8434 2165 73
EA-04-114-O	8434 2168 48
EA-04-115-C	8434 2165 74
EA-04-115-O	8434 2168 49
EA-04-200-C	8434 2165 76
EA-04-200-O	8434 2168 51
EA-04-201-C	8434 2023 01
EA-04-201-O	8434 2168 53
EA-04-202-C	8434 2165 78
EA-04-202-O	8434 2168 54
EA-04-203-C	8434 2021 94
EA-04-203-O	8434 2021 82
EA-04-204-C	8434 2165 81
EA-04-204-O	8434 2168 57
EA-04-205-C	8434 2165 82
EA-04-205-O	8434 2168 58
EA-04-206-C	8434 2021 91
EA-04-206-O	8434 2021 84
EA-04-207-C	8434 2165 85
EA-04-207-O	8434 2168 61
EA-04-208-C	8434 2165 86
EA-04-208-O	8434 2168 62
EA-04-209-C	8434 2021 97
EA-04-209-O	8434 2021 81
EA-04-210-C	8434 2165 88
EA-04-210-O	8434 2168 64
EA-04-211-C	8434 2165 89
EA-04-211-O	8434 2168 65
EA-04-212-C	8434 2021 93
EA-04-212-O	8434 2021 80
EA-04-213-C	8434 2165 92
EA-04-213-O	8434 2168 68
EA-04-214-C	8434 2165 93
EA-04-214-O	8434 2168 69
EA-04-215-C	8434 2021 96

Description	Ordering No.
EA-04-215-O	8434 2021 85
EA-04-300-C	8434 2165 95
EA-04-300-O	8434 2168 71
EA-04-302-C	8434 2023 02
EA-04-302-O	8434 2168 72
EA-04-50MM-C	8434 2165 75
EA-04-50MM-O	8434 2168 50
EA-04-51MM-C	8434 2165 77
EA-04-51MM-O	8434 2168 52
EA-04-55MM-C	8434 2165 79
EA-04-55MM-O	8434 2168 55
EA-04-56MM-C	8434 2165 80
EA-04-56MM-O	8434 2168 56
EA-04-60MM-C	8434 2165 83
EA-04-60MM-O	8434 2168 59
EA-04-61MM-C	8434 2165 84
EA-04-61MM-O	8434 2168 60
EA-04-66MM-C	8434 2165 87
EA-04-66MM-O	8434 2168 63
EA-04-70MM-C	8434 2165 90
EA-04-70MM-O	8434 2168 66
EA-04-71MM-C	8434 2165 91
EA-04-71MM-O	8434 2168 67
EA-04-75MM-C	8434 2165 94
EA-04-75MM-O	8434 2168 70
EA-04-80MM-C	8434 2165 96
EA-04-80MM-O	8434 2168 73
EA-08-100MM-C	8434 2166 46
EA-08-100MM-O	8434 2169 22
EA-08-107-C	8434 2165 97
EA-08-107-O	8434 2168 74
EA-08-108-C	8434 2165 98
EA-08-108-O	8434 2168 75
EA-08-109-C	8434 2165 99
EA-08-109-O	8434 2168 76
EA-08-110-C	8434 2166 01
EA-08-110-O	8434 2168 78
EA-08-111-C	8434 2166 03
EA-08-111-O	8434 2168 80
EA-08-112-C	8434 2166 04
EA-08-112-O	8434 2168 81
EA-08-113-C	8434 2166 05
EA-08-113-O	8434 2168 82
EA-08-114-C	8434 2166 06
EA-08-114-O	8434 2168 83
EA-08-115-C	8434 2166 07

Description	Ordering No.
EA-08-115-O	8434 2168 84
EA-08-200-C	8434 2166 09
EA-08-200-O	8434 2168 86
EA-08-201-C	8434 2166 11
EA-08-201-O	8434 2168 88
EA-08-202-C	8434 2166 12
EA-08-202-O	8434 2168 89
EA-08-203-C	8434 2166 14
EA-08-203-O	8434 2168 91
EA-08-204-C	8434 2166 16
EA-08-204-O	8434 2168 93
EA-08-205-C	8434 2166 17
EA-08-205-O	8434 2168 94
EA-08-206-C	8434 2166 19
EA-08-206-O	8434 2168 96
EA-08-207-C	8434 2166 21
EA-08-207-O	8434 2168 98
EA-08-208-C	8434 2166 22
EA-08-208-O	8434 2168 99
EA-08-209-C	8434 2166 23
EA-08-209-O	8434 2169 00
EA-08-210-C	8434 2166 25
EA-08-210-O	8434 2169 02
EA-08-211-C	8434 2166 26
EA-08-211-O	8434 2169 03
EA-08-212-C	8434 2166 27
EA-08-212-O	8434 2169 04
EA-08-213-C	8434 2166 30
EA-08-213-O	8434 2169 07
EA-08-214-C	8434 2166 31
EA-08-214-O	8434 2169 08
EA-08-215-C	8434 2166 32
EA-08-215-O	8434 2169 09
EA-08-300-C	8434 2166 34
EA-08-300-O	8434 2169 11
EA-08-302-C	8434 2166 35
EA-08-302-O	8434 2169 12
EA-08-304-C	8434 2022 03
EA-08-304-O	8434 2169 14
EA-08-305-C	8434 2166 37
EA-08-306-C	8434 2166 39
EA-08-306-O	8434 2169 16
EA-08-308-C	8434 2166 40
EA-08-308-O	8434 2169 17
EA-08-309-C	8434 2166 42
EA-08-309-O	8434 2169 19

Description	Ordering No.
EA-08-314-C	8434 2166 44
EA-08-314-O	8434 2169 21
EA-08-400-C	8434 2166 45
EA-08-404-C	8434 2166 47
EA-08-41MM-C	8434 2166 00
EA-08-41MM-O	8434 2168 77
EA-08-42MM-C	8434 2166 02
EA-08-42MM-O	8434 2168 79
EA-08-50MM-C	8434 2166 08
EA-08-50MM-O	8434 2168 85
EA-08-51MM-C	8434 2166 10
EA-08-51MM-O	8434 2168 87
EA-08-55MM-C	8434 2166 13
EA-08-55MM-O	8434 2168 90
EA-08-56MM-C	8434 2166 15
EA-08-56MM-O	8434 2168 92
EA-08-60MM-C	8434 2166 18
EA-08-60MM-O	8434 2168 95
EA-08-61MM-C	8434 2166 20
EA-08-61MM-O	8434 2168 97
EA-08-66MM-C	8434 2166 24
EA-08-66MM-O	8434 2169 01
EA-08-70MM-C	8434 2166 28
EA-08-70MM-O	8434 2169 05
EA-08-71MM-C	8434 2166 29
EA-08-71MM-O	8434 2169 06
EA-08-75MM-C	8434 2166 33
EA-08-75MM-O	8434 2169 10
EA-08-80MM-C	8434 2166 36
EA-08-80MM-O	8434 2169 13
EA-08-85MM-C	8434 2166 38
EA-08-85MM-O	8434 2169 15
EA-08-90MM-C	8434 2166 41
EA-08-90MM-O	8434 2169 18
EA-08-95MM-C	8434 2166 43
EA-08-95MM-O	8434 2169 20

RTX POWERHEAD PARTS LIST



Periodic testing and maintenance is advised to ensure accuracy and safe operation of the tool. Our technicians are experts in keeping your tool in optimal working condition. Or you can opt to purchase our RTX maintenance kits.

Powerhead Parts List

Description	Part Number
1 Housing	RTX-#01
2 End Cap	RTX-#02
3 Rod End	RTX-#05
4 Piston Rod	RTX-#06
5 Cylinder End Cap Screw	RTX-#07
6 Fixed Upper Pin	RTX-#08
7 Fixed Upper Pin Ring	RTX-#09
8 Link Pin Short	RTX-#10
9a Link Pin Long for Alco Reaction Arm	RTX-#11
9b Link Pin Extra Long for On Side Reaction Arm	RTX-#11XL
10 Link Pin Retainer	RTX-#12
11 Housing Seal Kit	RTX-#13
12* Swivel Assembly (Small, Medium or Large)	RTX-SW
13* Swivel Seal Kit (Small, Medium or Large)	RTX-SK

*Please note: Seals are not included with spare parts. For replacement seals order our Seal Kits.

Powerhead Maintenance Kits

Model	Description	Ordering No.
RTX02-MK	Maintenance Kit	4222 2134 35
RTX04-MK	Maintenance Kit	4222 2138 46
RTX08-MK	Maintenance Kit	4222 2141 07
RTX14-MK	Maintenance Kit	4222 2143 47
RTX18-MK	Maintenance Kit	4222 2144 25
RTX30-MK	Maintenance Kit	4222 2145 51

Maintenance Kits for RTX Powerhead contain the following:

Housing Seal kit, Swivel Seal Kit, Link Pin for Alco Arm (if applicable), Link Pin Standard, Cylinder End Cap Screw, Fixed Upper Pin, Fixed Upper Ring, Rod End, Link Pin Retainer, 10,000psi/700bar Male & Female Coupler.

RL RATCHET LINK PARTS LIST



Ratchet Link Maintenance Kits

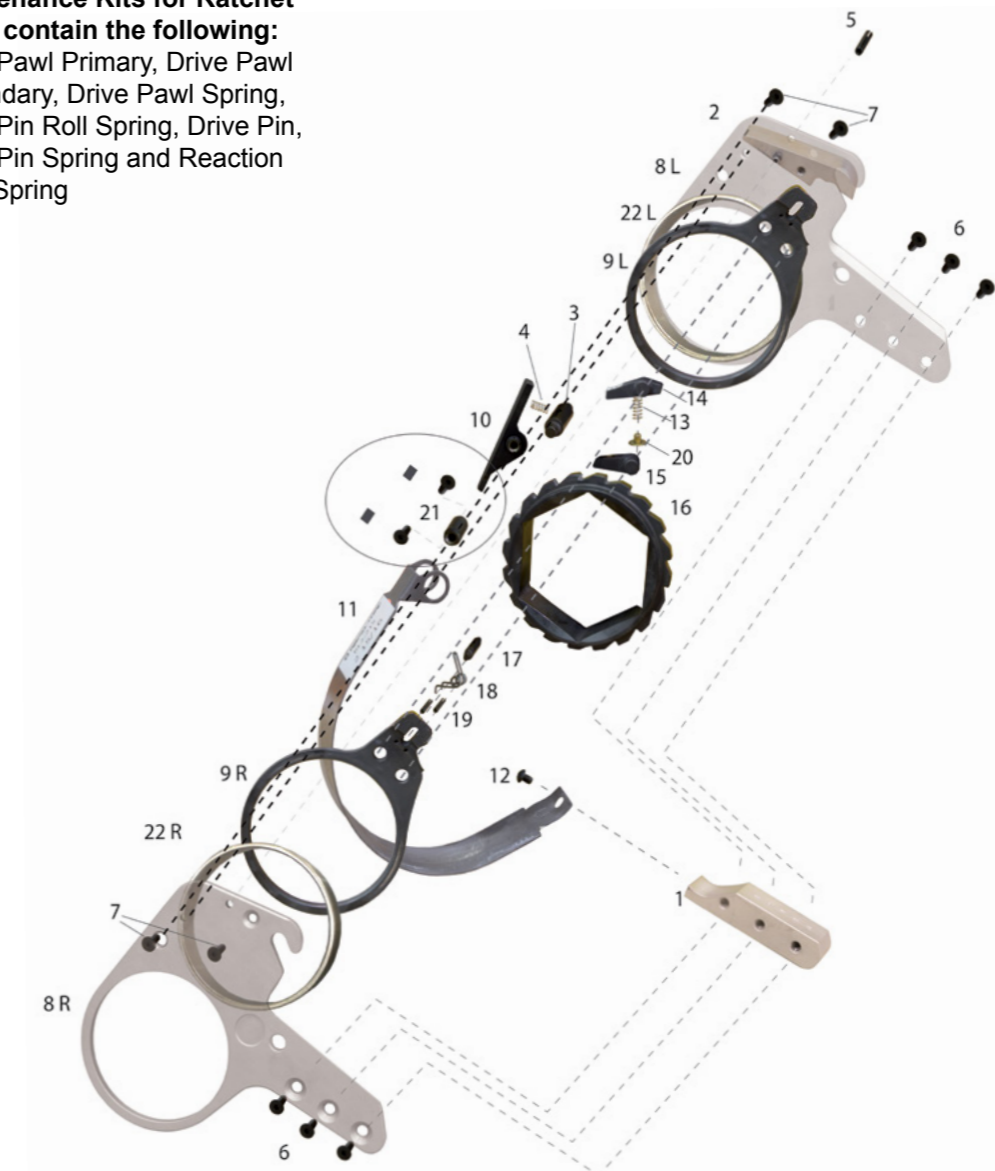
Model	Description	Ordering No.
RL02-MK	Ratchet Link Maintenance Kit	8434 2132 95
RL04-MK	Ratchet Link Maintenance Kit	8434 2134 57
RL08-MK	Ratchet Link Maintenance Kit	8434 2059 53
RL14-MK	Ratchet Link Maintenance Kit	8434 2136 73
RL18-MK	Ratchet Link Maintenance Kit	8434 2137 27
RL30-MK	Ratchet Link Maintenance Kit	8434 2138 23

Ratchet Link Parts List

Description	Part No.	Description	Part No.
1 Reaction Block Spacer	RTX-#45	12 Shroud Screw	RTX-#44
2 Top Spacer	RTX-#46	13 Drive Pawl Spring	RTX-#27
3 Reaction Pawl Spring Spacer	RTX-#47	14 Drive Pawl Primary	RTX-#22
4 Reaction Pawl Spring	RTX-#37	15 Drive Pawl Secondary	RTX-#23
5 Side Plate Roll Pin	RTX-#48	16 Ratchet	RTX-#28
6 Side Plate Screw Bottom	RTX-#50	17 Drive Pin	RTX-#33
7 Side Plate Screw Top	RTX-#51	18 Drive Pin Spring	RTX-#34
8 Side Plate (left or right)	RTX-#52	19 Drive Spring Roll Pin	RTX-#32
9 Drive Plate (left or right)	RTX-#35	20 Spring Seat	RTX-#49
10 Reaction Pawl	RTX-#36	21 Reaction Pawl Pin Assembly	RTX-#99
11 Shroud	RTX-#43	22 Drive Plate Bushing	RTX-#89

Maintenance Kits for Ratchet Links contain the following:

Drive Pawl Primary, Drive Pawl Secondary, Drive Pawl Spring, Drive Pin Roll Spring, Drive Pin, Drive Pin Spring and Reaction Pawl Spring



RTX-02 SPARE PARTS

RTX-02 Powerhead Spare Parts



Item	Description	Ordering No.
RTX02-01	Housing	4222 2106 84
RTX02-02	End Cap	4222 2106 87
RTX02-05	Rod End	4222 2106 90
RTX02-06	Piston Rod	4222 2106 93
RTX02-07	Cylinder End Cap Screw	4222 2106 96
RTX02-08	Fixed Upper Pin	4222 2106 99
RTX02-09	Fixed Upper Pin Ring	4222 2107 02
RTX02-10	Link Pin Short	4222 2107 05
RTX02-11	Link Pin Long	4222 2107 08
RTX02-12	Link Pin Retainer	4222 2107 11
RTX02-13	Housing Seal Kit	4222 2131 02
RT-SWIV-EL-S	Small Swivel Assembly	4222 2116 19
RT-SK-S	Swivel Kit Small	4222 2100 03

RTX-02 Ratchet Link Spare Parts



Item	Description	Ordering No.
RTX02-14	On Side Reaction Arm	4222 2107 14
RTX02-14-L	On Side Reaction Arm L	4222 2116 67
RTX02-22	Drive Pawl Primary	4222 2107 17
RTX02-23	Drive Pawl Secondary	4222 2107 20
RTX02-27	Drive Pawl Spring	4222 2107 23
RTX02-28-012	Ratchet 3/4"	4222 2131 35
RTX02-28-014	Ratchet 7/8"	4222 2131 38
RTX02-28-100	Ratchet 1"	4222 2131 41
RTX02-28-101	Ratchet 1 1/16"	4222 2107 26

Item	Description	Ordering No.
RTX02-28-103	Ratchet 1 3/16"	4222 2116 73
RTX02-28-104 12p	Ratchet 1 1/4"	4222 2131 44
RTX02-28-105	Ratchet 1 5/16"	4222 2131 46
RTX02-28-106	Ratchet 1 3/8"	4222 2131 47
RTX02-28-107	Ratchet 1 7/16"	4222 2107 29
RTX02-28-107 RR*	Ratchet RR 1 7/16"	4222 2131 50
RTX02-28-108	Ratchet 1 1/2"	4222 2131 53
RTX02-28-110	Ratchet 1 5/8"	4222 2131 56
RTX02-28-111	Ratchet 1 11/16"	4222 2131 59
RTX02-28-112	Ratchet 1 3/4"	4222 2131 60
RTX02-28-113	Ratchet 1 13/16"	4222 2107 32
RTX02-28-114	Ratchet 1 7/8"	4222 2116 76
RTX02-28-115	Ratchet 1 15/16"	4222 2131 62
RTX02-28-17MM	Ratchet 17mm	4222 2131 63
RTX02-28-19MM	Ratchet 19mm	4222 2131 65
RTX02-28-200	Ratchet 2"	4222 2107 35
RTX02-28-202	Ratchet 2 1/8"	4222 2131 68
RTX02-28-203	Ratchet 2 3/16"	4222 2107 38
RTX02-28-204	Ratchet 2 1/4"	4222 2131 71
RTX02-28-205	Ratchet 2 5/16"	4222 2131 72
RTX02-28-206	Ratchet 2 3/8"	4222 2107 41
RTX02-28-209	Ratchet 2 9/16"	4222 2107 44
RTX02-28-214	Ratchet 2 7/8"	4222 2107 45
RTX02-28-24MM	Ratchet 24mm	4222 2131 73
RTX02-28-27MM	Ratchet 27mm	4222 2131 74
RTX02-28-30MM	Ratchet 30mm	4222 2131 77
RTX02-28-32MM	Ratchet 32mm	4222 2107 47
RTX02-28-33MM	Ratchet 33mm	4222 2131 80

Item	Description	Ordering No.
RTX02-28-36MM	Ratchet 36mm	4222 2107 50
RTX02-28-38MM	Ratchet 38mm	4222 2131 83
RTX02-28-41MM	Ratchet 41mm	4222 2131 86
RTX02-28-46MM	Ratchet 46mm	4222 2131 89
RTX02-28-50MM	Ratchet 50mm	4222 2131 92
RTX02-28-55MM	Ratchet 55mm	4222 2107 53
RTX02-28-60MM	Ratchet 60mm	4222 2131 95
RTX02-28-65MM	Ratchet 65mm	4222 2131 98
RTX02-32	Drive Spring Roll Pin	4222 2107 56
RTX02-33	Drive Pin	4222 2107 59
RTX02-34	Drive Pin Spring	4222 2132 01
RTX02-35-L #1	Drive Plate (Left)	4222 2132 04
RTX02-35-L #10	Drive Plate (Left)	4222 2132 07
RTX02-35-L #11	Drive Plate (Left)	4222 2132 10
RTX02-35-L #2	Drive Plate (Left)	4222 2116 79
RTX02-35-L #3	Drive Plate (Left)	4222 2116 82
RTX02-35-L #4	Drive Plate (Left)	4222 2116 85
RTX02-35-L #5	Drive Plate (Left)	4222 2132 13
RTX02-35-L #5 RR*	Drive Plate (Left)	4222 2116 88
RTX02-35-L #6	Drive Plate (Left)	4222 2132 16
RTX02-35-L #7	Drive Plate (Left)	4222 2116 91
RTX02-35-L #8	Drive Plate (Left)	4222 2132 19
RTX02-35-L #9	Drive Plate (Left)	4222 2132 22
RTX02-35-R #1	Drive Plate (Right)	4222 2132 40
RTX02-35-R #10	Drive Plate (Right)	4222 2132 43
RTX02-35-R #11	Drive Plate (Right)	4222 2132 46
RTX02-35-R #2	Drive Plate (Right)	4222 2116 94
RTX02-35-R #3	Drive Plate (Right)	4222 2116 97
RTX02-35-R #4	Drive Plate (Right)	4222 2117 00

Item	Description	Ordering No.
RTX02-35-R #5	Drive Plate (Right)	4222 2132 49
RTX02-35-R #5 RR*	Drive Plate (Right)	4222 2117 03
RTX02-35-R #6	Drive Plate (Right)	4222 2132 52
RTX02-35-R #7	Drive Plate (Right)	4222 2117 06
RTX02-35-R #8	Drive Plate (Right)	4222 2132 55
RTX02-35-R #9	Drive Plate (Right)	4222 2132 58
RTX02-36 #1	Reaction Pawl	4222 2132 82
RTX02-36 #10	Reaction Pawl	4222 2132 85
RTX02-36 #11	Reaction Pawl	4222 2132 88
RTX02-36 #2	Reaction Pawl	4222 2117 09
RTX02-36 #3	Reaction Pawl	4222 2117 12
RTX02-36 #4	Reaction Pawl	4222 2117 15
RTX02-36 #5	Reaction Pawl	4222 2132 91
RTX02-36 #6	Reaction Pawl	4222 2117 18
RTX02-36 #7	Reaction Pawl	4222 2132 94
RTX02-36 #8	Reaction Pawl	4222 2117 21
RTX02-36 #9	Reaction Pawl	4222 2132 97
RTX02-37	Reaction Pawl Spring	4222 2107 89
RTX02-43 #1	Shroud	4222 2133 00
RTX02-43 #10	Shroud	4222 2133 03
RTX02-43 #11	Shroud	4222 2133 06
RTX02-43 #2	Shroud	4222 2117 25
RTX02-43 #3	Shroud	4222 2117 29
RTX02-43 #4	Shroud	4222 2117 33
RTX02-43 #5	Shroud	4222 2117 37
RTX02-43 #6	Shroud	4222 2117 41
RTX02-43 #7	Shroud	4222 2133 09
RTX02-43 #8	Shroud	4222 2117 45
RTX02-43 #9	Shroud	4222 2117 49

Item	Description	Ordering No.
RTX02-44	Shroud Screw	4222 2108 13
RTX02-45 #1	Reaction Block Spacer	4222 2133 12
RTX02-45 #10	Reaction Block Spacer	4222 2108 31
RTX02-45 #11	Reaction Block Spacer	4222 2108 32
RTX02-45 #2	Reaction Block Spacer	4222 2133 15
RTX02-45 #3	Reaction Block Spacer	4222 2117 53
RTX02-45 #4	Reaction Block Spacer	4222 2117 57
RTX02-45 #5	Reaction Block Spacer	4222 2133 18
RTX02-45 #6	Reaction Block Spacer	4222 2133 21
RTX02-45 #7	Reaction Block Spacer	4222 2117 61
RTX02-45 #8	Reaction Block Spacer	4222 2117 65
RTX02-45 #9	Reaction Block Spacer	4222 2133 24
RTX02-46	Top Spacer	4222 2133 27
RTX02-47	Reaction Pawl Spring Spacer	4222 2108 34
RTX02-48	Side Plate Roll Pin	4222 2108 37
RTX02-49	Spring Seat	4222 2108 40
RTX02-50	Side Plate Screw Bottom	4222 2108 43
RTX02-51	Side Plate Screw Top	4222 2108 46
RTX02-52-L #1	Side Plate (Left)	4222 2133 30
RTX02-52-L #10	Side Plate (Left)	4222 2133 33
RTX02-52-L #2	Side Plate (Left)	4222 2117 70
RTX02-52-L #3	Side Plate (Left)	4222 2117 75
RTX02-52-L #4	Side Plate (Left)	4222 2117 80
RTX02-52-L #5	Side Plate (Left)	4222 2117 85
RTX02-52-L #6	Side Plate (Left)	4222 2117 90
RTX02-52-L #7	Side Plate (Left)	4222 2117 95
RTX02-52-L #8	Side Plate (Left)	4222 2118 00
RTX02-52-L #9	Side Plate (Left)	4222 2118 05
RTX02-52-R #1	Side Plate (Right)	4222 2133 36

Item	Description	Ordering No.
X02-52-R #10	Side Plate (Right)	4222 2118 41
X02-52-R #2	Side Plate (Right)	4222 2118 10
X02-52-R #3	Side Plate (Right)	4222 2118 15
X02-52-R #4	Side Plate (Right)	4222 2118 20
X02-52-R #5	Side Plate (Right)	4222 2118 25
RTX02-52-R #6	Side Plate (Right)	4222 2118 30
RTX02-52-R #7	Side Plate (Right)	4222 2118 35
RTX02-52-R #8	Side Plate (Right)	4222 2118 40
RTX02-52-R #9	Side Plate (Right)	4222 2118 42
RTX02-56 #1	Side Plate Bushing	4222 2133 39
RTX02-56 #10	Side Plate Bushing	4222 2133 42
RTX02-56 #11	Side Plate Bushing	4222 2133 45
RTX02-56 #2	Side Plate Bushing	4222 2133 48
RTX02-56 #3	Side Plate Bushing	4222 2118 50
RTX02-56 #4	Side Plate Bushing	4222 2133 51
RTX02-56 #5	Side Plate Bushing	4222 2133 54
RTX02-56 #6	Side Plate Bushing	4222 2133 57
RTX02-56 #7	Side Plate Bushing	4222 2133 60
RTX02-56 #8	Side Plate Bushing	4222 2133 63
RTX02-56 #9	Side Plate Bushing	4222 2133 66
RTX02-89 #2	Brass Bushing	4222 2133 69
RTX02-89 #4	Brass Bushing	4222 2133 72
RTX02-89 #5	Brass Bushing	4222 2133 75
RTX02-89 #7	Brass Bushing	4222 2133 78
RTX02-99	Reaction Pawl Pin	4222 2108 97

12 Point Hexagonal, Reduced Radius and Custom Sizes available upon request.

RTX-04 SPARE PARTS

RTX-04 Powerhead Spare Parts



Item	Description	Ordering No.
RTX04-01	Housing	4222 2134 44
RTX04-02	End Cap	4222 2109 00
RTX04-05	Rod End	4222 2109 03
RTX04-06	Piston Rod	4222 2109 06
RTX04-07	Cylinder End Cap Screw	4222 2109 09
RTX04-08	Fixed Upper Pin	4222 2109 12
RTX04-09	Fixed Upper Pin Ring	4222 2109 15
RTX04-10	Link Pin Short	4222 2109 18
RTX04-11	Link Pin Long	4222 2109 21
RTX04-11-XL	Link Pin Extra Long	4222 2134 56
RTX04-12	Link Pin Retainer	4222 2109 24
RTX04-13	Housing Seal Kit	4222 2134 59
RT-SWIV-EL-M	Medium Swivel Assembly	4222 2100 09
RT-SK-M	Medium Swivel Seal Kit	4222 2130 87

RTX-04 Ratchet Link Spare Parts



Item	Description	Ordering No.
RTX04-22	Drive Pawl Primary	4222 2109 30
RTX04-23	Drive Pawl Secondary	4222 2109 33
RTX04-27	Drive Pawl Spring	4222 2109 36
RTX04-28-014	Ratchet 7/8IN	4222 2134 86
RTX04-28-100	Ratchet 1IN	4222 2134 89
RTX04-28-104 12pt	Ratchet	4222 2134 92
RTX04-28-108	Ratchet	4222 2134 95
RTX04-28-111	Ratchet	4222 2109 39

Item	Description	Ordering No.
RTX04-28-113	Ratchet	4222 2134 98
RTX04-28-114	Ratchet	4222 2135 01
RTX04-28-200	Ratchet	4222 2109 42
RTX04-28-203	Ratchet	4222 2118 79
RTX04-28-204	Ratchet	4222 2135 04
RTX04-28-205	Ratchet	4222 2135 07
RTX04-28-206	Ratchet	4222 2118 83
RTX04-28-209	Ratchet	4222 2135 10
RTX04-28-210	Ratchet	4222 2135 13
RTX04-28-211	Ratchet	4222 2135 16
RTX04-28-212	Ratchet	4222 2135 19
RTX04-28-212 RR	Ratchet	4222 2135 22
RTX04-28-213	Ratchet	4222 2135 25
RTX04-28-215	Ratchet	4222 2135 26
RTX04-28-301	Ratchet	4222 2135 27
RTX04-28-302	Ratchet	4222 2135 28
RTX04-28-32MM	Ratchet	4222 2135 31
RTX04-28-36MM	Ratchet	4222 2135 34
RTX04-28-41MM	Ratchet	4222 2109 45
RTX04-28-42MM	Ratchet	4222 2109 48
RTX04-28-46MM	Ratchet	4222 2135 37
RTX04-28-50MM	Ratchet	4222 2135 40
RTX04-28-55MM	Ratchet	4222 2135 43
RTX04-28-60MM	Ratchet	4222 2135 46
RTX04-28-63MM	Ratchet	4222 2135 49
RTX04-28-70MM	Ratchet	4222 2135 50
RTX04-28-75MM	Ratchet	4222 2135 51
RTX04-28-80MM	Ratchet	4222 2118 87

Item	Description	Ordering No.
RTX04-32	Drive Pin Roll Spring	4222 2109 51
RTX04-33	Drive Pin	4222 2109 54
RTX04-34	Drive Pin Spring	4222 2135 52
RTX04-35-L #1	Drive Plate (Left)	4222 2135 55
RTX04-35-L #10	Drive Plate (Left)	4222 2135 58
RTX04-35-L #11	Drive Plate (Left)	4222 2135 61
RTX04-35-L #12	Drive Plate (Left)	4222 2135 64
RTX04-35-L #2	Drive Plate (Left)	4222 2135 67
RTX04-35-L #3	Drive Plate (Left)	4222 2135 70
RTX04-35-L #4	Drive Plate (Left)	4222 2135 73
RTX04-35-L #5	Drive Plate (Left)	4222 2135 76
RTX04-35-L #6	Drive Plate (Left)	4222 2135 79
RTX04-35-L #7	Drive Plate (Left)	4222 2135 82
RTX04-35-L #8	Drive Plate (Left)	4222 2118 90
RTX04-35-L #8 RR	Drive Plate (Left) RR	4222 2135 88
RTX04-35-L #9	Drive Plate (Left)	4222 2135 85
RTX04-35-R #1	Drive Plate (Right)	4222 2135 91
RTX04-35-R #10	Drive Plate (Right)	4222 2135 94
RTX04-35-R #11	Drive Plate (Right)	4222 2135 97
RTX04-35-R #12	Drive Plate (Right)	4222 2136 00
RTX04-35-R #2	Drive Plate (Right)	4222 2136 03
RTX04-35-R #3	Drive Plate (Right)	4222 2136 06
RTX04-35-R #4	Drive Plate (Right)	4222 2136 09
RTX04-35-R #5	Drive Plate (Right)	4222 2136 12
RTX04-35-R #6	Drive Plate (Right)	4222 2136 15
RTX04-35-R #7	Drive Plate (Right)	4222 2136 18
RTX04-35-R #8	Drive Plate (Right)	4222 2136 21
RTX04-35-R #8 RR	Drive Plate (Right) Reduced RR	4222 2136 27

Item	Description	Ordering No.
RTX04-35-R #9	Drive Plate (Right)	4222 2136 24
RTX04-36 #1	Reaction Pawl	4222 2136 30
RTX04-36 #10	Reaction Pawl	4222 2136 33
RTX04-36 #11	Reaction Pawl	4222 2136 36
RTX04-36 #2	Reaction Pawl	4222 2136 39
RTX04-36 #3	Reaction Pawl	4222 2136 42
RTX04-36 #4	Reaction Pawl	4222 2118 94
RTX04-36 #5	Reaction Pawl	4222 2136 45
RTX04-36 #6	Reaction Pawl	4222 2136 48
RTX04-36 #7	Reaction Pawl	4222 2136 51
RTX04-36 #8	Reaction Pawl	4222 2136 54
RTX04-36 #9	Reaction Pawl	4222 2136 57
RTX04-37	Reaction Pawl Spring	4222 2109 63
RTX04-38	Reaction Pawl Spacer	4222 2136 60
RTX04-43 #1	Shroud	4222 2118 98
RTX04-43 #10	Shroud	4222 2136 63
RTX04-43 #11	Shroud	4222 2136 66
RTX04-43 #2	Shroud	4222 2119 03
RTX04-43 #3	Shroud	4222 2119 07
RTX04-43 #4	Shroud	4222 2119 11
RTX04-43 #5	Shroud	4222 2136 69
RTX04-43 #6	Shroud	4222 2119 15
RTX04-43 #7	Shroud	4222 2136 72
RTX04-43 #8	Shroud	4222 2136 75
RTX04-43 #9	Shroud	4222 2136 78
RTX04-44	Shroud Screw	4222 2136 81
RTX04-45 #1	Reaction Block Spacer	4222 2136 84
RTX04-45 #10	Reaction Block Spacer	4222 2136 87
RTX04-45 #11	Reaction Block Spacer	4222 2136 88

Item	Description	Ordering No.
RTX04-45 #2	Reaction Block Spacer	4222 2136 90
RTX04-45 #3	Reaction Block Spacer	4222 2119 19
RTX04-45 #4	Reaction Block Spacer	4222 2136 93
RTX04-45 #5	Reaction Block Spacer	4222 2136 96
RTX04-45 #6	Reaction Block Spacer	4222 2136 99
RTX04-45 #7	Reaction Block Spacer	4222 2137 02
RTX04-45 #8	Reaction Block Spacer	4222 2119 23
RTX04-45 #9	Reaction Block Spacer	4222 2137 05
RTX04-46	Top Spacer	4222 2137 08
RTX04-47	Reaction Pawl Spring Spacer	4222 2137 11
RTX04-48	Side Plate Roll Pin	4222 2109 87
RTX04-49	Spring Seat	4222 2137 14
RTX04-50	Side Plate Screw Bottom	4222 2109 90
RTX04-51	Side Plate Screw Top	4222 2137 17
RTX04-52-L #1	Side Plate (Left)	4222 2119 26
RTX04-52-L #10	Side Plate (Left)	4222 2110 08
RTX04-52-L #11	Side Plate (Left)	4222 2110 09
RTX04-52-L #4	Side Plate (Left)	4222 2119 27
RTX04-52-L #5	Side Plate (Left)	4222 2137 20
RTX04-52-L #6	Side Plate (Left)	4222 2119 32
RTX04-52-L #7	Side Plate (Left)	4222 2119 37
RTX04-52-L #8	Side Plate (Left)	4222 2119 42
RTX04-52-L #9	Side Plate (Left)	4222 2119 47
RTX04-52-R #1	Side Plate (Right)	4222 2119 51
RTX04-52-R #10	Side Plate (Right)	4222 2110 17
RTX04-52-R #11	Side Plate (Right)	4222 2110 18
RTX04-52-R #4	Side Plate (Right)	4222 2119 52
RTX04-52-R #5	Side Plate (Right)	4222 2137 23
RTX04-52-R #6	Side Plate (Right)	4222 2137 26

Item	Description	Ordering No.
RTX04-52-R #8	Side Plate (Right)	4222 2137 29
RTX04-52-R #9	Side Plate (Right)	4222 2137 32
RTX04-52-R #7	Side Plate (Right)	4222 2119 55
RTX04-56 #1	Side Plate Bushing	4222 2137 35
RTX04-56 #10	Side Plate Bushing	4222 2137 38
RTX04-56 #11	Side Plate Bushing	4222 2137 41
RTX04-56 #2	Side Plate Bushing	4222 2137 44
RTX04-56 #3	Side Plate Bushing	4222 2137 47
RTX04-56 #4	Side Plate Bushing	4222 2137 50
RTX04-56 #5	Side Plate Bushing	4222 2137 53
RTX04-56 #6	Side Plate Bushing	4222 2137 56
RTX04-56 #7	Side Plate Bushing	4222 2137 59
RTX04-56 #8	Side Plate Bushing	4222 2137 62
RTX04-56 #9	Side Plate Bushing	4222 2137 65
RTX04-99	Reaction Pawl Pin	4222 2137 68

12 Point Hexagonal, Reduced Radius and Custom Ratchet sizes available. Contact your local representative for assistance with other sizes.

RTX-08 SPARE PARTS

RTX-08 Powerhead Spare Parts



Item	Description	Ordering No.
RTX08-01	Housing	4222 2138 49
RTX08-02	End Cap	4222 2110 20
RTX08-05	Rod End	4222 2119 85
RTX08-06	Piston Rod	4222 2110 23
RTX08-07	Cylinder End Cap Screw	4222 2110 26
RTX08-08	Fixed Upper Pin	4222 2138 52
RTX08-09	Fixed upper Pin Ring	4222 2110 29
RTX08-10	Link Pin Short	4222 2110 32
RTX08-11	Link Pin Long	4222 2110 35
RTX08-12	Link Pin Retainer	4222 2110 38
RTX08-13	Housing Seal Kit	4222 2110 41
RT-SWIV-EL-M	Medium Swivel Assembly	4222 2100 09
RT-SK-M	Medium Swivel Seal Kit	4222 2130 87

RTX-08 Ratchet Link Spare Parts



Item	Description	Ordering No.
RTX08-22	Drive Pawl Primary	4222 2110 47
RTX08-23	Drive Pawl Secondary	4222 2110 50
RTX08-27	Drive Pawl Spring	4222 2110 53
RTX08-28-100MM	Ratchet	4222 2138 88
RTX08-28-105MM	Ratchet	4222 2138 91
RTX08-28-108	Ratchet	4222 2138 94
RTX08-28-113	Ratchet	4222 2138 97
RTX08-28-114	Ratchet	4222 2139 00
RTX08-28-115	Ratchet	4222 2139 03
RTX08-28-200	Ratchet	4222 2139 06
RTX08-28-203	Ratchet	4222 2119 89
RTX08-28-204	Ratchet	4222 2139 09
RTX08-28-206	Ratchet	4222 2119 92
RTX08-28-209	Ratchet	4222 2119 95
RTX08-28-210	Ratchet	4222 2139 12
RTX08-28-212	Ratchet	4222 2139 15
RTX08-28-213	Ratchet	4222 2110 56
RTX08-28-215	Ratchet	4222 2139 18
RTX08-28-300	Ratchet	4222 2110 59
RTX08-28-302	Ratchet	4222 2139 21
RTX08-28-308	Ratchet	4222 2139 24
RTX08-28-310	Ratchet	4222 2110 62
RTX08-28-314	Ratchet	4222 2110 65

Item	Description	Ordering No.
RTX08-28-404	Ratchet	4222 2110 66
RTX08-28-41MM	Ratchet	4222 2139 27
RTX08-28-45MM	Ratchet	4222 2139 30
RTX08-28-46MM	Ratchet	4222 2139 33
RTX08-28-50MM	Ratchet	4222 2119 98
RTX08-28-58MM	Ratchet	4222 2139 36
RTX08-28-60MM	Ratchet	4222 2139 39
RTX08-28-63MM	Ratchet	4222 2110 68
RTX08-28-65MM	Ratchet	4222 2139 42
RTX08-28-67MM	Ratchet	4222 2110 71
RTX08-28-70MM	Ratchet	4222 2139 44
RTX08-28-71MM	Ratchet	4222 2139 45
RTX08-28-75MM	Ratchet	4222 2110 74
RTX08-28-77MM	Ratchet	4222 2139 48
RTX08-28-80MM	Ratchet	4222 2110 77
RTX08-28-90MM	Ratchet	4222 2110 80
RTX08-28-95MM	Ratchet	4222 2139 51
RTX08-32	Drive Spring Roll Pin	4222 2110 83
RTX08-33	Drive Pin	4222 2110 86
RTX08-34	Drive Pin Spring	4222 2110 89
RTX08-35-L #1	Drive Plate (Left)	4222 2120 43
RTX08-35-L #10	Drive Plate (Left)	4222 2111 16
RTX08-35-L #11	Drive Plate (Left)	4222 2139 54
RTX08-35-L #12	Drive Plate (Left)	4222 2139 57
RTX08-35-L #2	Drive Plate (Left)	4222 2120 48
RTX08-35-L #3	Drive Plate (Left)	4222 2120 53
RTX08-35-L #4	Drive Plate (Left)	4222 2120 58

Item	Description	Ordering No.
RTX08-35-L #5	Drive Plate (Left)	4222 2120 68
RTX08-35-L #6	Drive Plate (Left)	4222 2120 73
RTX08-35-L #7	Drive Plate (Left)	4222 2120 78
RTX08-35-L #8	Drive Plate (Left)	4222 2120 63
RTX08-35-L #9	Drive Plate (Left)	4222 2139 60
RTX08-35-R #1	Drive Plate (Right)	4222 2120 83
RTX08-35-R #10	Drive Plate (Right)	4222 2111 40
RTX08-35-R #11	Drive Plate (Right)	4222 2139 63
RTX08-35-R #12	Drive Plate (Right)	4222 2139 66
RTX08-35-R #2	Drive Plate (Right)	4222 2120 87
RTX08-35-R #3	Drive Plate (Right)	4222 2120 91
RTX08-35-R #4	Drive Plate (Right)	4222 2139 69
RTX08-35-R #5	Drive Plate (Right)	4222 2120 95
RTX08-35-R #6	Drive Plate (Right)	4222 2139 72
RTX08-35-R #7	Drive Plate (Right)	4222 2120 99
RTX08-35-R #8	Drive Plate (Right)	4222 2121 03
RTX08-35-R #9	Drive Plate (Right)	4222 2121 07
RTX08-36 #1	Reaction Pawl	4222 2121 11
RTX08-36 #10	Reaction Pawl	4222 2111 64
RTX08-36 #11	Reaction Pawl	4222 2111 67
RTX08-36 #2	Reaction Pawl	4222 2121 15
RTX08-36 #3	Reaction Pawl	4222 2121 19
RTX08-36 #4	Reaction Pawl	4222 2121 23
RTX08-36 #5	Reaction Pawl	4222 2121 27
RTX08-36 #6	Reaction Pawl	4222 2139 75
RTX08-36 #7	Reaction Pawl	4222 2139 78
RTX08-36 #8	Reaction Pawl	4222 2121 31

Item	Description	Ordering No.
RTX08-36 #9	Reaction Pawl	4222 2121 35
RTX08-37	Reaction Pawl	4222 2139 81
RTX08-43	Shroud	4222 2139 84
RTX08-43 #1	Shroud Ratchet Link	4222 2121 39
RTX08-43 #10	Shroud Ratchet Link	4222 2111 91
RTX08-43 #11	Shroud Ratchet Link	4222 2139 87
RTX08-43 #2	Shroud Ratchet Link	4222 2121 44
RTX08-43 #3	Shroud Ratchet Link	4222 2121 48
RTX08-43 #4	Shroud Ratchet Link	4222 2121 52
RTX08-43 #5	Shroud Ratchet Link	4222 2121 56
RTX08-43 #6	Shroud Ratchet Link	4222 2139 90
RTX08-43 #7	Shroud Ratchet Link	4222 2139 93
RTX08-43 #8	Shroud Ratchet Link	4222 2121 60
RTX08-43 #9	Shroud Ratchet Link	4222 2121 64
RTX08-44	Shroud Screw	4222 2111 94
RTX08-45	Reaction Block Spacer	4222 2139 96
RTX08-45 #1	Reaction Block Spacer	4222 2112 15
RTX08-45 #10	Reaction Block Spacer	4222 2112 18

12 Point Hexagonal, Reduced Radius and Custom Ratchet sizes available. Contact your local representative for assistance with other sizes.

RTX-14 SPARE PARTS

RTX-14
Powerhead
Spare Parts



RTX-14
Ratchet Link
Spare Parts



Item	Description	Ordering No.
RTX14-01	Housing	4222 2141 10
RTX14-02	End Cap	4222 2112 96
RTX14-05	Rod End	4222 2109 07
RTX14-06	Piston Rod	4222 2112 99
RTX14-07	Cylinder End Cap Screw	4222 2113 02
RTX14-08	Fixed Upper Pin	4222 2113 05
RTX14-09	Fixed Upper Pin Ring	4222 2113 08
RTX14-10	Link Pin Short	4222 2113 11
RTX14-11	Link Pin Long	4222 2113 14
RT-SWIV-EL-L	Large Swivel Assembly	4222 2100 06
RT-SK-L	Large Swivel Seal Kit	4222 2100 00

Item	Description	Ordering No.
RTX14-22	Primary Drive Pawl	4222 2113 20
RTX14-23	Drive Pawl Secondary	4222 2113 23
RTX14-27	Drive Pawl Spring	4222 2113 26
RTX14-28-100MM	Ratchet	4222 2122 18
RTX14-28-110MM	Ratchet	4222 2141 52
RTX14-28-115MM	Ratchet	4222 2141 55
RTX14-28-120MM	Ratchet	4222 2141 58
RTX14-28-209	Ratchet	4222 2141 61
RTX14-28-212	Ratchet	4222 2141 63
RTX14-28-215	Ratchet	4222 2141 64
RTX14-28-302	Ratchet	4222 2141 67
RTX14-28-308	Ratchet	4222 2141 70
RTX14-28-314	Ratchet	4222 2141 73
RTX14-28-404	Ratchet	4222 2141 76
RTX14-28-408	Ratchet	4222 2141 79
RTX14-28-410	Ratchet	4222 2122 22
RTX14-28-71MM	Ratchet	4222 2113 29
RTX14-28-75MM	Ratchet	4222 2113 32
RTX14-28-80MM	Ratchet	4222 2141 82
RTX14-28-85MM	Ratchet	4222 2141 85
RTX14-28-90MM	Ratchet	4222 2122 25
RTX14-28-95MM	Ratchet	4222 2141 88
RTX14-32	Drive Spring Roll Pin	4222 2113 35

Item	Description	Ordering No.
RTX14-33	Drive Pin	4222 2113 38
RTX14-34	Drive Pin Spring	4222 2113 41
RTX14-35-L #1	Drive Plate (Left)	4222 2141 91
RTX14-35-L #11	Drive Plate (Left)	4222 2141 94
RTX14-35-L #2	Drive Plate (Left)	4222 2141 97
RTX14-35-L #3	Drive Plate (Left)	4222 2142 00
RTX14-35-L #4	Drive Plate (Left)	4222 2142 03
RTX14-35-L #5	Drive Plate (Left)	4222 2142 06
RTX14-35-L #6	Drive Plate (Left)	4222 2142 09
RTX14-35-L #7	Drive Plate (Left)	4222 2142 12
RTX14-35-L #8	Drive Plate (Left)	4222 2142 15
RTX14-35-L #9	Drive Plate (Left)	4222 2122 28
RTX14-35-L #10	Drive Plate (Left)	4222 2142 18
RTX14-35-R #1	Drive Plate(Right)	4222 2142 21
RTX14-35-R #11	Drive Plate(Right)	4222 2142 24
RTX14-35-R #2	Drive Plate(Right)	4222 2142 27
RTX14-35-R #3	Drive Plate(Right)	4222 2142 30
RTX14-35-R #4	Drive Plate(Right)	4222 2142 33
RTX14-35-R #5	Drive Plate(Right)	4222 2142 36
RTX14-35-R #6	Drive Plate(Right)	4222 2142 39
RTX14-35-R #7	Drive Plate(Right)	4222 2142 42
RTX14-35-R #8	Drive Plate(Right)	4222 2142 45
RTX14-35-R #9	Drive Plate(Right)	4222 2142 48

Item	Description	Ordering No.
RTX14-35-R #10	Drive Plate(Right)	4222 2142 51
RTX14-36 #1	Reaction Pawl	4222 2142 54
RTX14-36 #10	Reaction Pawl	4222 2142 57
RTX14-36 #2	Reaction Pawl	4222 2142 60
RTX14-36 #3	Reaction Pawl	4222 2142 63
RTX14-36 #4	Reaction Pawl	4222 2142 66
RTX14-36 #5	Reaction Pawl	4222 2142 69
RTX14-36 #7	Reaction Pawl	4222 2122 32
RTX14-36 #9	Reaction Pawl	4222 2142 58
RTX14-37	Reaction Pawl Spring	4222 2113 50
RTX14-43 #1	Shroud	4222 2122 35
RTX14-43 #10	Shroud	4222 2142 72
RTX14-43 #11	Shroud	4222 2142 75
RTX14-43 #2	Shroud	4222 2142 78
RTX14-43 #3	Shroud	4222 2142 81
RTX14-43 #4	Shroud	4222 2142 84
RTX14-43 #5	Shroud	4222 2142 87
RTX14-43 #6	Shroud	4222 2142 90
RTX14-43 #7	Shroud	4222 2142 93
RTX14-43 #8	Shroud	4222 2142 96
RTX14-43 #9	Shroud	4222 2142 99
RTX14-44	Shroud Screw	4222 2143 02
RTX14-45 #1	Reaction Block Spacer	4222 2122 33

Item	Description	Ordering No.
RTX14-45 #10	Reaction Block Spacer	4222 2113 71
RTX14-45 #2	Reaction Block Spacer	4222 2122 34
RTX14-45 #3	Reaction Block Spacer	4222 2122 36
RTX14-45 #4	Reaction Block Spacer	4222 2122 37
RTX14-45 #5	Reaction Block Spacer	4222 2122 38
RTX14-45 #6	Reaction Block Spacer	4222 2122 41
RTX14-45 #7	Reaction Block Spacer	4222 2122 44
RTX14-45 #8	Reaction Block Spacer	4222 2122 47
RTX14-45 #9	Reaction Block Spacer	4222 2122 50
RTX14-46	Top Spacer	4222 2143 05
RTX14-47	Reaction Pawl Spring Spacer	4222 2143 08
RTX14-48	Side Plate Roll Spring	4222 2113 74
RTX14-49	Spring Seat	4222 2113 77
RTX14-50	Side Plate Screw Bottom	4222 2113 80
RTX14-51	Side Plate Screw Top	4222 2113 83
RTX14-52-L #2	Side Plate (Left)	4222 2113 86
RTX14-52-L #3	Side Plate (Left)	4222 2143 11
RTX14-52-L #4	Side Plate (Left)	4222 2143 14
RTX14-52-L #5	Side Plate (Left)	4222 2143 17
RTX14-52-L #6	Side Plate (Left)	4222 2143 20
RTX14-52-L #7	Side Plate (Left)	4222 2143 21
RTX14-52-L #9	Side Plate (Left)	4222 2143 23
RTX14-52-R #2	Side Plate (Right)	4222 2143 26
RTX14-52-R #3	Side Plate (Right)	4222 2143 29

Item	Description	Ordering No.
RTX14-52-R #4	Side Plate (Right)	4222 2143 30
RTX14-52-R #6	Side Plate (Right)	4222 2143 32
RTX14-52-R #7	Side Plate (Right)	4222 2143 35
RTX14-99	Reaction Pawl Pin	4222 2116 65

12 Point Hexagonal, Reduced Radius and Custom Ratchet sizes available. Contact your local representative for assistance with other sizes.

RTX-18 SPARE PARTS

RTX-18
Powerhead
Spare Parts



RTX-18
Ratchet Link
Spare Parts



Item	Description	Ordering No.
RTX18-02	End Cap	4222 2113 88
RTX18-05	Rod End	4222 2113 89
RTX18-06	Piston Rod	4222 2143 50
RTX18-07	Cylinder End Cap Screw	4222 2143 52
RTX18-08	Fixed Upper Pin	4222 2143 53
RTX18-09	Fixed Upper Pin Ring	4222 2113 92
RTX18-10	Link Pin Short	4222 2113 95
RTX18-11	Link Pin Long	4222 2113 98
RTX18-12	Link Pin Retainer	4222 2114 00
RTX18-13	Housing Seal Kit	4222 2114 01
RT-SWIV-EL-L	Large Swivel Assembly	4222 2100 06
RT-SK-L	Large Swivel Seal Kit	4222 2100 00

Item	Description	Ordering No.
RTX18-22	Drive Pawl Primary	4222 2143 56
RTX18-23	Drive Pawl Secondary	4222 2143 59
RTX18-27	Drive Pawl Spring	4222 2114 04
RTX18-28-302	Ratchet	4222 2114 07
RTX18-28-80MM	Ratchet	4222 2143 92
RTX18-28-95MM	Ratchet	4222 2143 95
RTX18-32	Drive Spring Roll Pin	4222 2114 10
RTX18-33	Drive Pin	4222 2114 13
RTX18-34	Drive Pin Spring	4222 2114 16
RTX18-35-L #4	Drive Plate (left)	4222 2114 17
RTX18-35-R #4	Drive Plate (right)	4222 2114 18
RTX18-36 #4	Reaction Pawl	4222 2114 20
RTX18-37	Reaction Pawl Spring	4222 2114 19
RTX18-43 #5	Shroud	4222 2143 98
RTX18-43 #6	Shroud	4222 2144 01
RTX18-43-#4	Shroud	4222 2144 04
RTX18-45 #1	Reaction Block Spacer	4222 2114 22

Item	Description	Ordering No.
RTX18-45 #10	Reaction Block Spacer	4222 2114 25
RTX18-45 #2	Reaction Block Spacer	4222 2114 28
RTX18-45 #3	Reaction Block Spacer	4222 2114 31
RTX18-45 #4	Reaction Block Spacer	4222 2114 34
RTX18-45 #5	Reaction Block Spacer	4222 2114 37
RTX18-45 #6	Reaction Block Spacer	4222 2114 40
RTX18-45 #7	Reaction Block Spacer	4222 2114 43
RTX18-45 #8	Reaction Block Spacer	4222 2114 46
RTX18-45 #9	Reaction Block Spacer	4222 2114 49
RTX18-46	Top Spacer	4222 2114 52
RTX18-47	Reaction Pawl Spring Spacer	4222 2144 07
RTX18-49	Spring Seat	4222 2114 55
RTX18-50	Side Plate Screw Top	4222 2114 58
RTX18-51	Side Plate Screw Bottom	4222 2144 10
RTX18-99	Reaction Pawl Pin	4222 2114 61

RTX-30 SPARE PARTS LIST

RTX-30
Powerhead
Spare Parts



RTX-30
Ratchet Link
Spare Parts

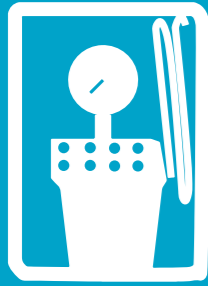


Item	Description	Ordering No.
RTX30-01	Housing	4222 2144 34
RTX30-05	Rod End	4222 2144 37
RTX30-06	Piston Rod	4222 2114 64
RTX30-07	Cylinder End Cap Screw	4222 2100 12
RTX30-10	Link Pin Short	4222 2100 15
RTX30-11	Link Pin Long	4222 2100 18
RTX30-12	Link Pin Retainer	4222 2144 40
RTX30-13	Housing Seal Kit	4222 2100 21
RT-SWIV-EL-L	Large Swivel Assembly	4222 2100 06
RT-SK-L	Large Swivel Seal Kit	4222 2100 00

Item	Description	Ordering No.
RTX30-22	Drive Pawl Primary	4222 2144 46
RTX30-23	Drive Pawl Secondary	4222 2100 24
RTX30-27	Drive Pawl Spring	4222 2144 49
RTX30-28-110MM	Ratchet	4222 2144 79
RTX30-28-309	Ratchet	4222 2144 82
RTX30-28-500	Ratchet	4222 2144 83
RTX30-28-95MM	Ratchet	4222 2100 27
RTX30-28-98MM	Ratchet	4222 2144 85
RTX30-32	Drive Spring Roll Pin	4222 2100 30
RTX30-33	Drive Pin	4222 2144 88
RTX30-34	Drive Pin Spring	4222 2144 91
RTX30-35-L #4	Drive Plate (Left)	4222 2144 94
RTX30-35-R #4	Drive Plate (Right)	4222 2144 97
RTX30-36 #3	Reaction Pawl	4222 2145 00
RTX30-36 #4	Reaction Pawl	4222 2145 03
RTX30-36 #6	Reaction Pawl	4222 2145 04
RTX30-36-115MM	Reaction Pawl	4222 2145 06
RTX30-37	Reaction Pawl Spring	4222 2100 33
RTX30-43 #2	Shroud	4222 2145 09
RTX30-43 #3	Shroud	4222 2145 12
RTX30-43 #4	Shroud	4222 2145 15
RTX30-43 #5	Shroud	4222 2145 18
RTX30-43 #6	Shroud	4222 2145 21
RTX30-44	Shroud Screws	4222 2145 22

Item	Description	Ordering No.
RTX30-45 #1	Reaction Block Spacer	4222 2145 23
RTX30-45 #10	Reaction Block Spacer	4222 2145 25
RTX30-45 #2	Reaction Block Spacer	4222 2145 26
RTX30-45 #3	Reaction Block Spacer	4222 2145 28
RTX30-45 #4	Reaction Block Spacer	4222 2145 29
RTX30-45 #5	Reaction Block Spacer	4222 2145 31
RTX30-45 #6	Reaction Block Spacer	4222 2145 32
RTX30-45 #7	Reaction Block Spacer	4222 2145 34
RTX30-45 #8	Reaction Block Spacer	4222 2145 35
RTX30-46	Top Spacer	4222 2100 37
RTX30-47	Reaction Pawl Spring Spacer	4222 2100 36
RTX30-48	Side Plate Roll Pin	4222 2100 39
RTX30-49	Spring Seat	4222 2100 40
RTX30-50	Side Plate Screw Top	4222 2100 42
RTX30-51	Side Plate Screw Bottom	4222 2100 45
RTX30-52-L #3	Side Plate (Left)	4222 2145 24
RTX30-52-L #5	Side Plate (Left)	4222 2145 37
RTX30-52-L #6	Side Plate (Left)	4222 2145 27
RTX30-52-L #7	Side Plate (Left)	4222 2145 30
RTX30-52-R #1	Side Plate (Right)	4222 2145 33
RTX30-52-R #2	Side Plate (Right)	4222 2145 36
RTX30-52-R #3	Side Plate (Right)	4222 2145 38
RTX30-52-R #5	Side Plate (Right)	4222 2145 40
RTX30-52-R #6	Side Plate (Right)	4222 2145 39
RTX30-52-R #8	Side Plate (Right)	4222 2145 42

12 Point Hexagonal, Reduced Radius and Custom Ratchet sizes available. Contact your local representative for assistance with other sizes.



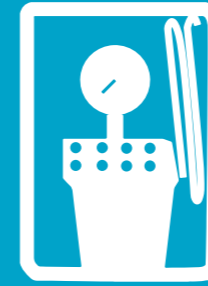
ELECTRIC

Electric Pumps can be ordered for use with 110V or 220V.

		Panther 025	Panther 55	Lynx	Panther 150
Ordering Numbers		110 V w/handle 8434 2040 31			
		110V w/full frame 8434 2040 33	110V 8434 2040 35	110V 8434 2059 61	110V 8434 2040 39
		220V w/handle 8434 2130 22	220V 8434 2040 37	220V 8434 2059 59	220V 8434 2040 41
		220V w/full frame 8434 2059 54			
Dimensions (LxWxH)	inches	12.6 x 8.3 x 15.3	17.3 x 9.4 x 18.5	9.5 x 17.14 x 18.12	18.11 x 11.81 x 17.33
	mm	320 x 210.8 x 388.6	439.4 x 238.7 x 469.9	541.3 x 435.3 x 460.2	460 x 300 x 440
Weight	lb	33	48	75	72
	kg	15	22	34	33
Oil Capacity	Gallons	0.5	1.5	2.5	1.5
	Liters	1.89	5.67	9.5	4.0
Intercooler System		No	Yes	Optional Accessory	Yes
Oil Flow@ 1250psi/86bar	cu.in	195 cu. in/min	391 cu. in/min	-	463 cu. in/min
	l/min	3.2 l/min	6.4 l/min	-	7.6 l/min
Oil Flow@ 3600psi/250bar		54 cu. in/min	110 cu. in/min	-	183 cu. in/min
		0.9 l/min	1.8 l/min	-	3.0 l/min
Oil Flow@ 10,000psi/700bar		21 cu. in/min	42 cu. in/min	56 cu. in/min	61 cu. in/min
		0.35 l/min	0.7 l/min	.9 l/min	1.0 l/min
Ports		1	4	1	4
Recommended Tools	RTP5	•	•	•	
	RT1	•	•	•	
	RT3	•	•	•	
	RT5		•	•	
	RT8		•	•	•
	RT10		•	•	•
	RT20		•	•	•
	RT25		•	•	•
	RT50		•	•	•
	RTX2	•	•	•	•
	RTX4		•	•	•
	RTX8		•	•	•
	RTX14		•	•	•
RTX18		•	•	•	
RTX30		•	•	•	

* 4-port manifold is available as an optional accessory. See the pump accessory page for order.

Hoses and oil not included with the pump. Be sure to order corresponding amount of oil for your pump and select hose length for your application.



AIR

Air-driven pumps connect to a minimum 50psi power source.

		Panther A110	Panther A380	TigAir
Ordering Numbers		Small Frame 8434 2040 19		
		Full Frame 8434 2040 41	8434 2056 22	8434 2059 62
Dimensions (LxWxH)	inches	13.4 x 13.7 x 16.5	15.7 x 14.9 x 18.1	18 x 10.5 x 18.5
	mm	340.3 x 347.9 x 419.1	398.7 x 378.4 x 459.7	457.2 x 266.7 x 439.9
Weight	lb	33	48	75
	kg	15	22	34
Oil Capacity	Gallons	0.5	1.5	2.5
	Liters	1.89	5.67	9.5
Oil Flow@ 1250psi/86bar	cu.in	275 cu. in/min	701 cu. in/min	-
	l/min	4.5 l/min	11.5 l/min	-
Oil Flow@ 3600psi/250bar		67 cu. in./min	213 cu. in/min	-
		1.1 l/min	3.5 l/min	-
Oil Flow@ 10,000psi/700bar		24 cu. in/min	79 cu. in/min	72 cu. in/min
		0.4 l/min	1.3 l/min	1.1 l/min
Ports		1	4	1
Recommended Tools	RTP5	•	•	•
	RT1	•	•	•
	RT3	•	•	•
	RT5		•	•
	RT8		•	•
	RT10		•	•
	RT20		•	•
	RT25		•	•
	RT50		•	•
	RTX2	•	•	•
	RTX4		•	•
	RTX8		•	•
	RTX14		•	•
RTX18		•	•	
RTX30		•	•	

* 4-port manifold is available as an optional accessory. See the pump accessory page for order.

Maintenance kits are available for every pump model. Consult your local Atlas Copco bolting representative for ordering information.

ACCESSORIES FOR HYDRAULIC TORQUE WRENCH PUMPS

10kpsi/700 bar hoses



Model	Description	Ordering No.
090172	4.5M / 15 ft	8434 2050 08
090172-7	7M / 22.9 ft	8434 2123 95
090172-10	10M / 32 ft	8434 2123 74
090172-15	15M / 49.2 ft	8434 2050 10
090172-20	20M / 65.6 ft	8434 2123 83
090172-30	30M / 98.4 ft	8434 2123 86

Couplers/Nipples



Model	Description	Ordering No.
090156-1	1/8" Coupler Female	8434 2050 06
090156	1/4" Female Coupler	8434 2123 41
090157	3/8" Female Coupler	8434 2123 44
090155-1	1/8" Male Coupler	8434 2123 65
QC-COUPERS	Quick Connect Coupler Set	8434 2131 36
090101	Nipple Male-Male 1/4INx1/4IN	8434 2050 00
090103	Nipple Male 1/4INx1/8IN	8434 2050 02
090135	Nipple NPT 1/4INx1/4IN	8434 2050 04
090155	1/4" Male Female Nipple	8434 2123 38
090155-M	1/4" Male Nipple	8434 2123 68



Hydraulic Oil

Model	Description	Ordering No.
Tellus 46	5L / 1.32G Container	8434 2040 45



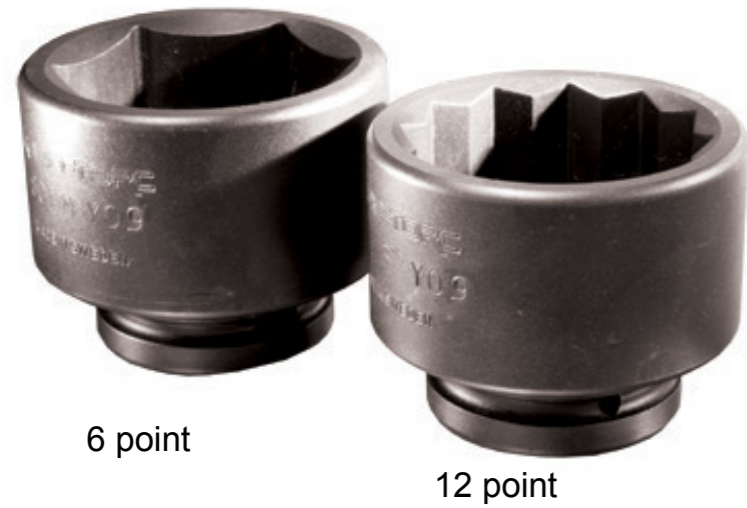
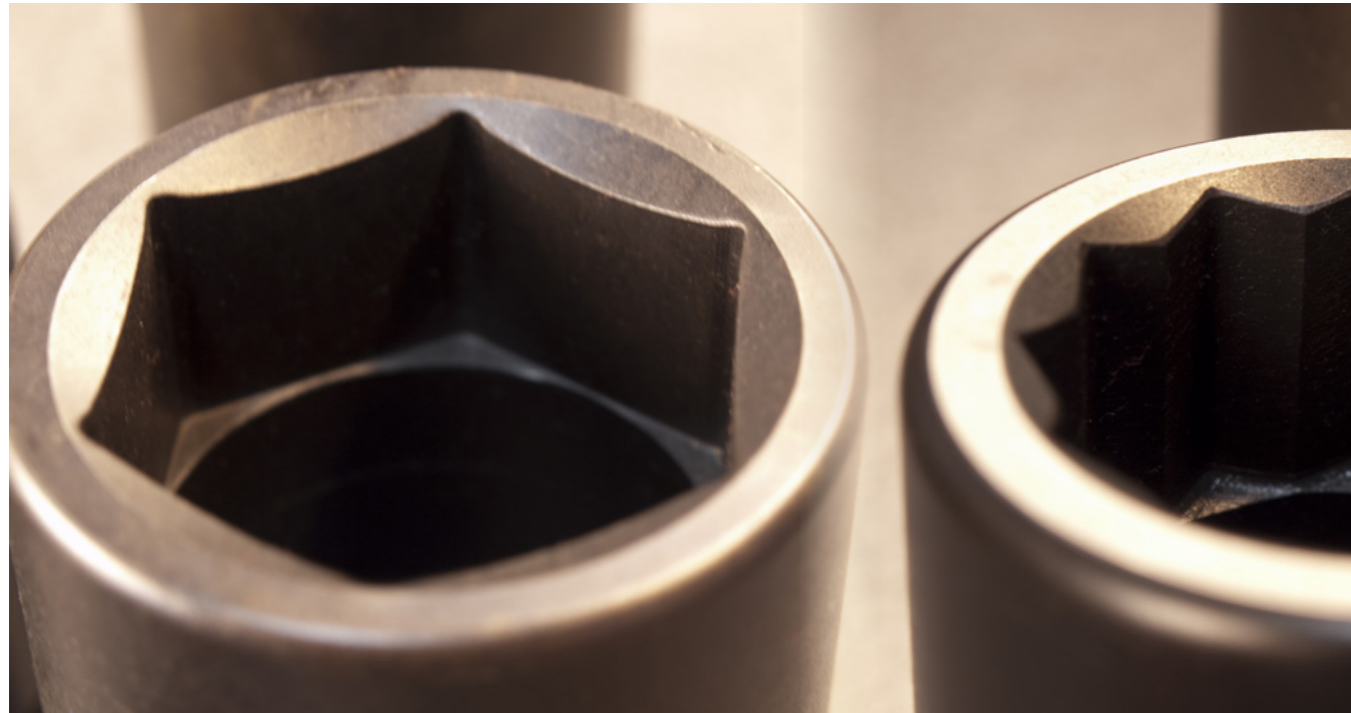
Calibrated Gauges

Model	Description	Ordering No.
090233-2	Gauge 70Mpa Back Mounted	8434 2124 07
090233-1	Gauge 700bar-10kpsi	8434 2051 59

4-port manifold

Model	Description	Ordering No.
4-port	4 port manifold for Tigair	8434211573
4-port	4 port manifold for Lynx	8434211573

IMPACT POWER SOCKETS

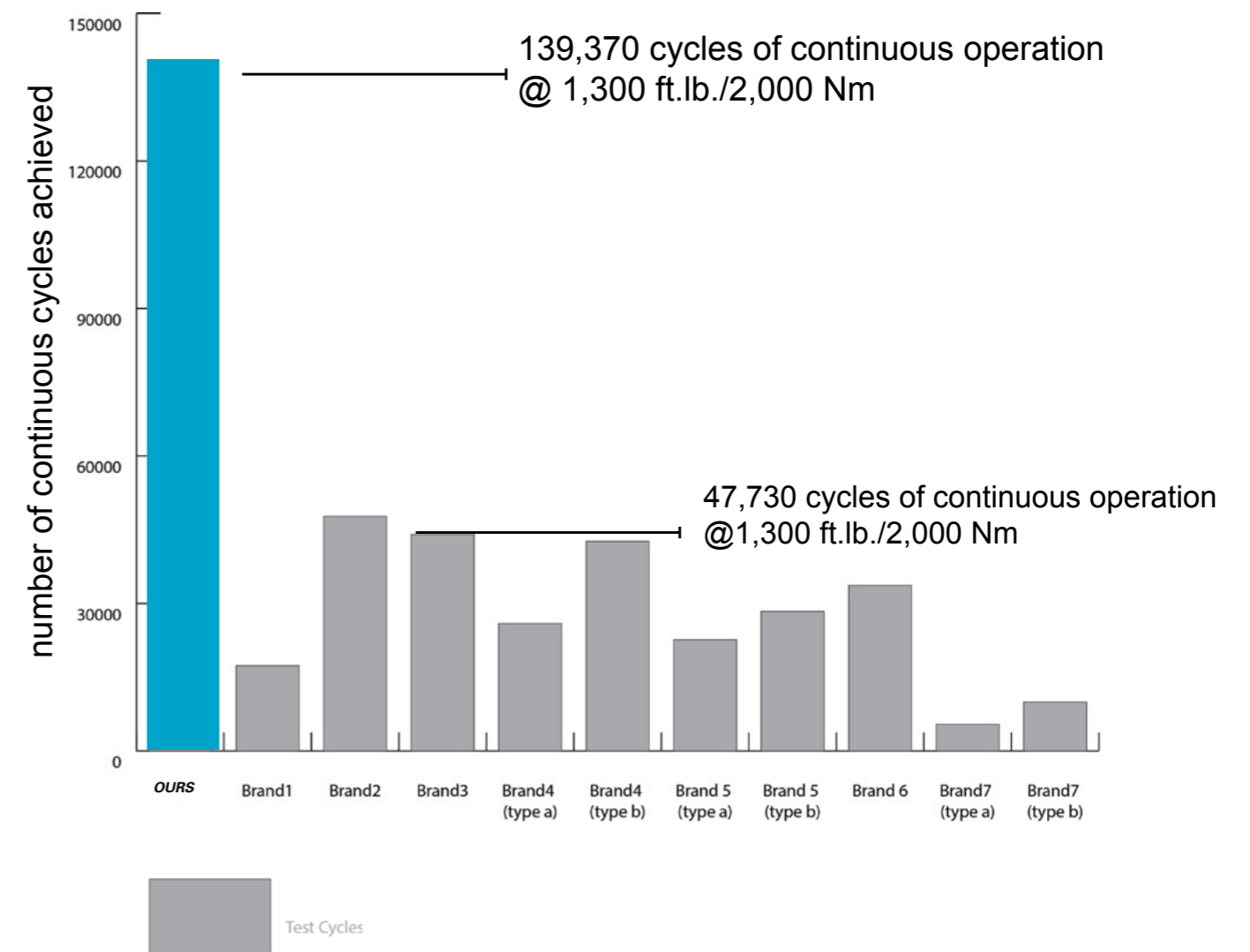


Produced in Sweden since 1951
Stringent production standards to ensure
quality. Produced in the world's only ISO
14001:2004 compliant socket plant

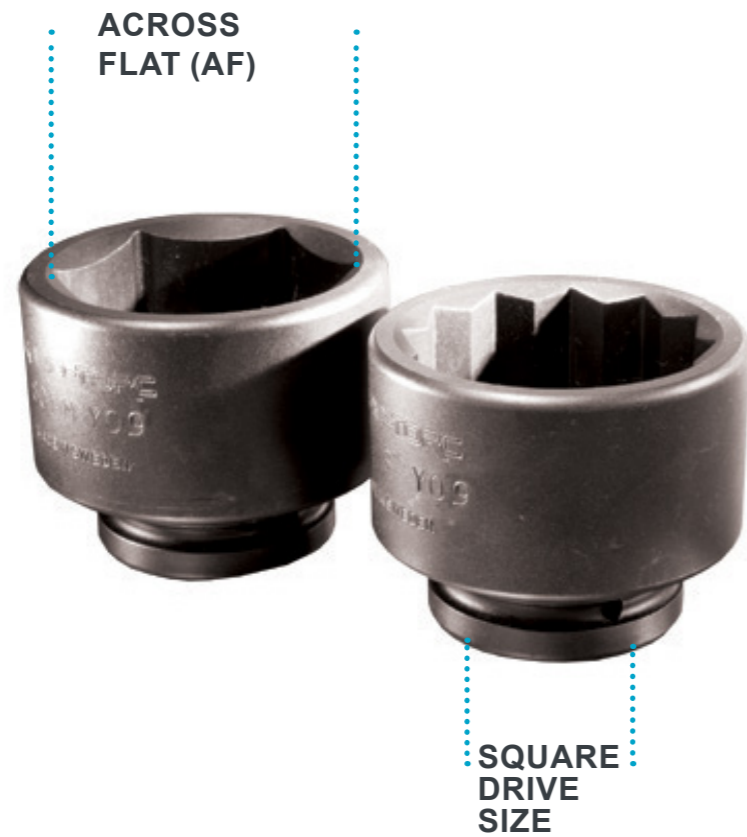
Your work is too critical, and your people too valuable.

Our impact sockets are beyond doubt the most durable and safe sockets in the market. We tested our 3/4" Square drive 24mm AF, against 9 similar sockets from 7 major brands. The test consisted of cycling the sockets at 1,300 ft.lb./2000 Nm, continuously until failure. Our impact sockets lasted 139,370 cycles until breakage, while the nearest competitor only reached 47,730 cycles, 65% less.

Socket Comparison Test



HOW TO SELECT YOUR SOCKET



How do I select the socket size on the following pages?

In this catalog, sizes are expressed as MM for metric while imperial have a 3 digit designation. How can you tell the sizes?



First number indicates inch, and the following two numbers indicate an increment of 1/16". For example **2-206** would be a socket for a with a 3/4" drive and an across flat of 2-6/16", which in turn is the same as 2-3/8". Another example: **9-404** would be a socket for a 1" drive tool, and for an across flat nut of 4-4/16" nut, which is the same as 4-1/4". When the socket sizes in metric and imperial are the same size, we have it listed together. For example: **9-312=95MM 12PT** would be a socket that for a nut that has an across flat 3-3/4" or for 95mm.

3/4" DRIVE SOCKETS



Model	Ordering No.
2-011	8434 2050 54
2-011 12PT	8434 2050 56
2-012/19MM	8434 2050 58
2-012/19MM 12PT	8434 2050 60
2-012/19MM L	8434 2124 37
2-013	8434 2050 62
2-013 12PT	8434 2050 64
2-014	8434 2124 40
2-015	8434 2050 66
2-015 12PT	8434 2050 68
2-1 15/16 12PT	8434 2050 69
2-100	8434 2050 70
2-100 12PT	8434 2050 72
2-101/27MM	8434 2050 74
2-101/27MM 12PT	8434 2050 76
2-102	8434 2050 78
2-102 12 PT	8434 2124 43
2-102 L	8434 2124 42
2-103/30MM	8434 2050 80
2-103/30MM 12PT	8434 2050 82
2-103/30MM L	8434 2050 84
2-104	8434 2124 46
2-104 12PT	8434 2050 86
2-105	8434 2124 49
2-106/35MM	8434 2124 52
2-106/35MM 12PT	8434 2050 88
2-107	8434 2124 55
2-107 12PT	8434 2050 90
2-107 L	8434 2124 58
2-108/38MM	8434 2124 61
2-108/38MM 12PT	8434 2050 92
2-109	8434 2050 94
2-109 12PT	8434 2050 96
2-110	8434 2050 98

Model	Ordering No.
2-110 L	8434 2124 64
2-111/43MM	8434 2051 00
2-111/43MM 12PT	8434 2051 02
2-112	8434 2124 67
2-112 12PT	8434 2051 04
2-113/46MM	8434 2051 06
2-113/46MM 12PT	8434 2051 08
2-113/46MM L	8434 2124 70
2-114	8434 2124 73
2-114 12PT	8434 2051 10
2-16MM	8434 2051 12
2-17MM	8434 2051 14
2-18MM	8434 2051 16
2-200	8434 2124 76
2-200 12PT	8434 2051 18
2-200-L	8434 2051 20
2-201	8434 2051 23
2-201 12PT	8434 2051 22
2-202	8434 2051 25
2-202 12PT	8434 2051 24
2-203	8434 2124 79
2-204	8434 2051 26
2-204 12PT	8434 2051 28
2-205	8434 2051 30
2-206	8434 2051 32
2-206 12PT	8434 2124 82
2-209	8434 2051 34
2-209 12PT	8434 2051 36
2-20MM	8434 2051 38
2-212=70MM	8434 2051 40
2-213	8434 2051 93
2-21MM	8434 2051 42
2-22MM	8434 2051 44
2-22MM 12PT	8434 2124 85
2-22MM L	8434 2124 88

Model	Ordering No.
2-23MM	8434 2124 91
2-24MM	8434 2051 46
2-24MM 12PT	8434 2128 79
2-26MM	8434 2051 48
2-28MM	8434 2124 94
2-29MM	8434 2124 97
2-32MM	8434 2051 50
2-32MM 12PT	8434 2051 52
2-33MM	8434 2125 00
2-34MM	8434 2125 03
2-36L33	8434 2050 71
2-36MM	8434 2125 06
2-36MM L	8434 2051 54
2-37MM	8434 2125 09
2-41MM	8434 2051 56
2-41MM L	8434 2051 58
2-42MM	8434 2125 12
2-47MM	8434 2125 15
2-50MM	8434 2051 60
2-50MM 12PT	8434 2125 18
2-50MM L	8434 2125 21
2-52MM	8434 2125 24
2-55MM	8434 2051 62
2-55MM Long	8434 2051 63
2-60L	8434 2051 67
2-60MM	8434 2051 66
2-65: 2 9/16 L	8434 2051 43
2-7/8	8434 2051 61
2-75mm	8434 2051 41
2-D6K55 12points	8434 2051 31

1" DRIVE SOCKETS

Model	Ordering No.
9-012/19MM	8434 2054 48
9-012/19MM 12PT	8434 2126 89
9-012/19MM L	8434 2054 49
9-014	8434 2054 50
9-014 12PT	8434 2054 52
9-015	8434 2054 54
9-015 12PT	8434 2054 56
9-100	8434 2054 58
9-100 12PT	8434 2054 60
9-100 L	8434 2126 92
9-100 L 12PT	8434 2126 95
9-100MM	8434 2054 62
9-101=27MM	8434 2054 64
9-101=27MM 12PT	8434 2054 66
9-102	8434 2054 68
9-102 12PT	8434 2054 70
9-103=30MM	8434 2054 72
9-103=30MM 12PT	8434 2054 74
9-103=30MM L	8434 2126 98
9-104	8434 2127 01
9-104 12 PT	8434 2127 04
9-104 L 12PT	8434 2054 76
9-105	8434 2127 07
9-105 12PT	8434 2054 78
9-106=35MM	8434 2127 10
9-106=35MM 12 PT	8434 2054 80
9-107	8434 2054 82
9-107 12PT	8434 2127 13
9-107 L	8434 2054 84
9-107 L 12PT	8434 2054 86
9-108=38MM	8434 2127 16
9-108=38MM 12PT	8434 2127 19
9-108=38MM-L-12PT	8434 2054 87
9-109	8434 2054 88
9-109 12PT	8434 2054 90
9-110	8434 2054 92
9-110 12PT	8434 2054 94
9-110 L	8434 2127 22
9-111=43MM	8434 2127 25

Model	Ordering No.
9-111=43MM-12PT	8434 2127 28
9-112	8434 2054 96
9-112 12PT	8434 2054 98
9-113=46MM	8434 2055 00
9-113=46MM L	8434 2055 04
9-113=46MM-12PT	8434 2054 95
9-113=46MM-L	8434 2054 93
9-114	8434 2055 06
9-114 TW	8434 2127 31
9-114-12PT	8434 2055 08
9-115	8434 2055 10
9-115 12PT	8434 2055 12
9-200	8434 2127 34
9-200 12PT	8434 2055 14
9-200 L	8434 2055 16
9-200 L 12PT	8434 2055 18
9-200 TW 2IN-TW	8434 2127 37
9-201	8434 2127 40
9-201 12PT	8434 2055 20
9-202	8434 2127 43
9-202 12PT	8434 2055 22
9-203	8434 2127 46
9-203 12PT	8434 2127 49
9-203 L	8434 2127 52
9-204	8434 2055 24
9-204 12 PT	8434 2055 26
9-204 L	8434 2055 28
9-205	8434 2055 30
9-205 12PT	8434 2055 32
9-206	8434 2127 55
9-206 12PT	8434 2127 58
9-206 L	8434 2127 61
9-207	8434 2127 64
9-207 L	8434 2127 67
9-208	8434 2127 70
9-208 12PT	8434 2127 73
9-209=65M 12 PT	8434 2055 34
9-209=65MM	8434 2055 36
9-209=65MM 12 PT	8434 2055 37
9-209=65MM L	8434 2055 38

Model	Ordering No.
9-210	8434 2055 40
9-210 12PT	8434 2055 42
9-211	8434 2055 44
9-211 12PT	8434 2055 46
9-212=70MM	8434 2055 48
9-212=70MM 12PT	8434 2055 50
9-212=70MM L	8434 2055 52
9-213	8434 2127 76
9-214	8434 2127 79
9-214 12PT	8434 2055 54
9-215	8434 2127 82
9-215 12PT	8434 2055 56
9-21MM	8434 2055 58
9-22MM	8434 2055 60
9-22MM Long	8434 2055 62
9-24MM	8434 2127 85
9-24MM 12PT	8434 2127 88
9-26MM	8434 2127 91
9-28MM	8434 2127 94
9-29MM	8434 2127 97
9-300	8434 2128 00
9-300 12PT	8434 2055 64
9-301	8434 2055 66
9-301 12PT	8434 2055 68
9-302	8434 2055 70
9-302 12PT	8434 2055 72
9-303 12PT	8434 2055 74
9-304	8434 2128 03
9-304 12PT	8434 2055 76
9-305 12PT	8434 2055 78
9-306	8434 2055 80
9-306 12PT	8434 2055 82
9-308	8434 2055 84
9-309	8434 2128 06
9-30L-133	8434 2128 17
9-30L-143	8434 2128 19
9-310	8434 2128 09
9-312=95MM	8434 2055 86
9-312=95MM 12PT	8434 2128 12
9-314	8434 2128 15

Model	Ordering No.
9-32-500NM	8434 2128 23
9-32L	8434 2051 65
9-32MM	8434 2055 88
9-32MM 12PT	8434 2128 18
9-33-500NM	8434 2128 22
9-33MM	8434 2128 21
9-34MM	8434 2128 24
9-35MM 12PT	8434 2128 27
9-36L	8434 2051 81
9-36MM	8434 2055 90
9-36MM 12PT	8434 2128 30
9-37MM	8434 2128 33
9-37MM 12PT	8434 2128 36
9-38MM 12PT	8434 2128 39
9-400	8434 2128 42
9-401	8434 2055 92
9-402=105MM	8434 2055 94
9-404	8434 2055 96
9-410	8434 2055 98
9-41L	8434 2051 83
9-41L	8434 2128 46
9-41MM	8434 2056 00
9-41MM 12PT	8434 2128 45
9-42MM	8434 2128 48
9-42MM 12PT	8434 2128 51
9-43MM 12PT	8434 2128 54
9-46MM 12PT	8434 2128 57
9-47MM	8434 2128 60
9-48MM	8434 2128 63
9-50MM	8434 2056 02
9-50MM 12PT	8434 2128 66
9-50mm L	8434 2056 03
9-52MM	8434 2128 69
9-55MM	8434 2056 04
9-55MM 12PT	8434 2128 72

Model	Ordering No.
9-55MM L	8434 2056 06
9-56MM 12PT	8434 2128 75
9-60L	8434 2051 85
9-60MM	8434 2056 08
9-60MM 12PT	8434 2128 78
9-75MM	8434 2056 10
9-80MM	8434 2056 12
9-85MM	8434 2056 14
9-85MM L	8434 2056 16
9-90MM	8434 2056 18
9-D6K38=1 1/2	8434 2127 20

12 Point, Thin Wall and Custom sizes available upon request.

12 Point, Thin Wall and Custom sizes available upon request.

1 1/2" DRIVE SOCKETS

Model	Ordering No.	Model	Ordering No.
5-100	8434 2051 72	5-203 12PT	8434 2052 56
5-100 12PT	8434 2051 74	5-204	8434 2052 58
5-100MM	8434 2051 76	5-204 12PT	8434 2052 60
5-101=27MM	8434 2051 78	5-205	8434 2052 62
5-101=27MM 12PT	8434 2125 42	5-205 12PT	8434 2052 64
5-102	8434 2051 80	5-206	8434 2125 60
5-102 12PT	8434 2125 45	5-206 12PT	8434 2052 66
5-102MM	8434 2051 82	5-206 L	8434 2052 68
5-103=30MM	8434 2051 84	5-207	8434 2125 63
5-103=30MM 12PT	8434 2125 48	5-207 12PT	8434 2052 70
5-104	8434 2051 86	5-208	8434 2052 72
5-104 12PT	8434 2051 88	5-208 12PT	8434 2052 74
5-105	8434 2051 90	5-209=65MM	8434 2052 76
5-105 12PT	8434 2051 92	5-209=65MM-12PT	8434 2052 78
5-106=35MM	8434 2051 94	5-209=65MM-L	8434 2052 79
5-106=35MM 12PT	8434 2051 96	5-210 12PT	8434 2052 80
5-107	8434 2051 98	5-210 2 5/8IN	8434 2125 66
5-107 12PT	8434 2052 00	5-211	8434 2052 82
5-107 L	8434 2052 02	5-211 12PT	8434 2052 84
5-108=38MM	8434 2052 04	5-212=70MM 12PT	8434 2052 88
5-108=38MM 12PT	8434 2052 06	5-213	8434 2052 90
5-109	8434 2052 08	5-213 12PT	8434 2052 92
5-109 12PT	8434 2125 51	5-214	8434 2052 94
5-110	8434 2052 10	5-215	8434 2052 96
5-110 12PT	8434 2052 12	5-215 12PT	8434 2052 98
5-110MM	8434 2052 14	5-22MM	8434 2052 43
5-111=43MM	8434 2052 16	5-300	8434 2053 00
5-111=43MM-12PT	8434 2052 18	5-300 12PT	8434 2053 02
5-112	8434 2052 20	5-301	8434 2053 04
5-112 12PT	8434 2052 22	5-301 12PT	8434 2053 06
5-113=46MM	8434 2052 24	5-302	8434 2125 72
5-113=46MM 12PT	8434 2052 26	5-302 12PT	8434 2053 08
5-114	8434 2052 28	5-303	8434 2125 78
5-114 12PT	8434 2052 30	5-303 12PT	8434 2053 10
5-115	8434 2052 32	5-304	8434 2053 12
5-115 12PT	8434 2052 34	5-304 12PT	8434 2053 14
5-115MM	8434 2052 36	5-305	8434 2053 15
5-120MM	8434 2052 38	5-306	8434 2125 81
5-125MM	8434 2052 40	5-306 12PT	8434 2053 16
5-130MM	8434 2059 02	5-307	8434 2053 17
5-135MM	8434 2125 54	5-308	8434 2053 18
5-145MM	8434 2125 57	5-308 12PT	8434 2053 20
5-200	8434 2052 42	5-309	8434 2053 21
5-200 12PT	8434 2052 44	5-310	8434 2125 84
5-201	8434 2052 46	5-310 12PT	8434 2053 22
5-201 12PT	8434 2052 48	5-311	8434 2053 23
5-202	8434 2052 50	5-312=95MM	8434 2053 24
5-202 12PT	8434 2052 52	5-313	8434 2053 25
5-203	8434 2052 54	5-314	8434 2053 26

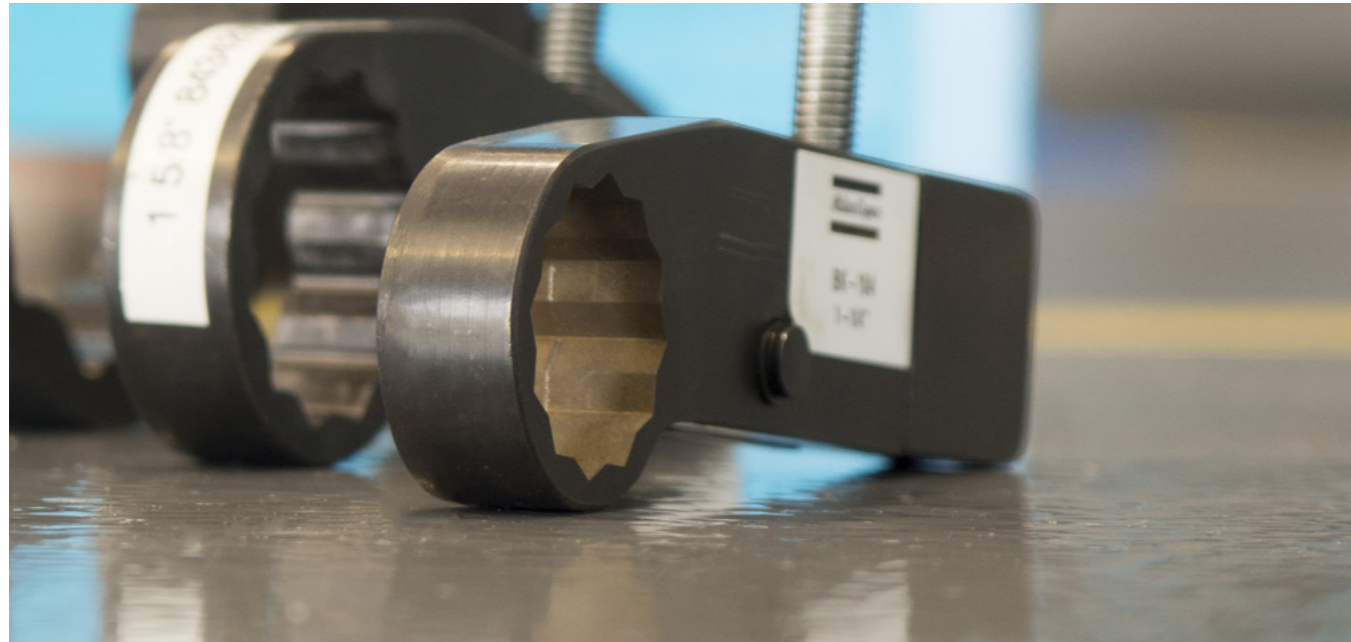
12 Point, Thin Wall and Custom sizes available upon request.

2 1/2" DRIVE SOCKETS

Model	Ordering No.	Model	Ordering No.
5-315	8434 2053 27	6-200	8434 2053 85
5-315 12PT	8434 2053 29	6-55MM	8434 2054 08
5-32MM	8434 2053 28	6-203	8434 2126 53
5-36MM	8434 2053 30	6-206	8434 2126 56
5-400	8434 2053 32	6-60MM	8434 2059 06
5-400 12PT	8434 2053 34	6-207	8434 2126 59
5-401	8434 2053 35	6-209=65MM	8434 2053 86
5-402=105MM	8434 2053 36	6-210	8434 2053 87
5-403	8434 2125 87	6-212=70MM	8434 2053 88
5-404	8434 2053 38	6-214	8434 2053 89
5-404 12PT	8434 2053 40	6-215	8434 2053 90
5-405	8434 2053 41	6-75MM	8434 2059 07
5-406	8434 2053 42	6-300	8434 2126 62
5-408	8434 2125 90	6-302	8434 2126 65
5-410	8434 2053 44	6-80MM	8434 2054 12
5-414	8434 2053 46	6-304	8434 2126 66
5-41MM	8434 2125 93	6-85MM	8434 2054 16
5-42MM	8434 2125 99	6-306	8434 2055 83
5-47MM	8434 2126 02	6-308	8434 2053 92
5-48MM	8434 2126 05	6-90MM	8434 2054 18
5-500	8434 2053 48	6-310	8434 2126 68
5-502	8434 2053 50	6-312=95MM	8434 2053 94
5-503	8434 2053 52	6-314	8434 2053 96
5-504	8434 2126 08	6-100MM	8434 2053 72
5-506	8434 2053 54	6-400	8434 2053 98
5-50MM	8434 2053 56		
5-50MM 12PT	8434 2126 11		
5-50MM L	8434 2126 14		
5-512	8434 2053 58		
5-514	8434 2053 60		
5-52MM	8434 2126 17		
5-55MM	8434 2053 62		
5-56MM	8434 2126 20		
5-60MM	8434 2053 64		
5-60MM L	8434 2126 23		
5-65MM	8434 2126 29		
5-70MM	8434 2126 32		
5-75MM	8434 2126 35		
5-75MM L	8434 2126 38		
5-80MM	8434 2053 66		
5-85MM	8434 2053 68		
5-90MM	8434 2053 70		
5-92MM	8434 2126 41		
5-93MM	8434 2053 71		
5-95MM	8434 2126 44		
5-D6K38=11/2L	8434 2052 05		
5-D6K43=1 11/16L	8434 2052 07		

12 Point, Thin Wall and Custom sizes available upon request.

BACKUP WRENCHES



Backup wrenches drastically improve safety by eliminating the need for hammer wrenches and spanners.

Model	Ordering No.	Model	Ordering No.	Model	Ordering No.
BK-011	8434 2128 89	BK-120MM	8434 2129 08	BK-312	8434 2129 29
BK-012	8434 2128 97	BK-200	8434 2056 32	BK-314	8434 2056 50
BK-013	8434 2128 88	BK-201	8434 2129 11	BK-34MM	8434 2128 91
BK-014	8434 2056 27	BK-202	8434 2129 14	BK-36MM	8434 2129 32
BK-015	8434 2128 98	BK-203	8434 2056 34	BK-402	8434 2129 35
BK-100MM	8434 2056 24	BK-204	8434 2129 17	BK-404	8434 2129 38
BK-101	8434 2056 29	BK-206	8434 2056 36	BK-410	8434 2056 52
BK-102	8434 2129 55	BK-207	8434 2128 95	BK-43mm	8434 2129 33
BK-104/32MM	8434 2128 90	BK-209	8434 2056 38	BK-500	8434 2056 54
BK-105	8434 2056 31	BK-210	8434 2056 40	BK-506	8434 2056 56
BK-105MM	8434 2128 93	BK-212	8434 2056 42	BK-55MM	8434 2128 92
BK-107	8434 2056 26	BK-213	8434 2129 58	BK-70MM	8434 2129 41
BK-108	8434 2128 96	BK-213	8434 2129 52	BK-75MM	8434 2056 55
BK-110	8434 2056 28	BK-214	8434 2056 45	BK-85MM	8434 2129 44
BK-110MM	8434 2128 99	BK-215	8434 2056 44		
BK-111	8434 2129 57	BK-24MM	8434 2056 23		
BK-111	8434 2129 51	BK-300	8434 2129 23		
BK-112	8434 2129 02	BK-302	8434 2056 46		
BK-113	8434 2056 30	BK-302/80MM	8434 2056 53		
BK-114	8434 2129 05	BK-308/90MM	8434 2056 48		
		BK-30MM	8434 2129 26		



Backup wrench works in conjunction with any of our bolting tools and safely prevents the nut from rotating.

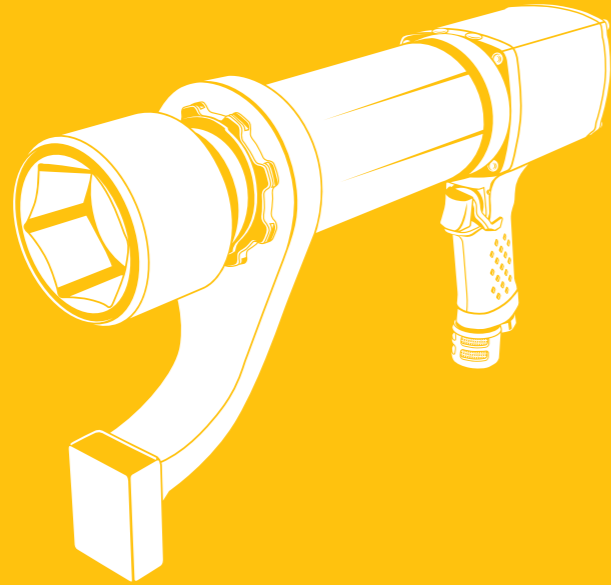
How do I select the backup wrench the following pages?

In this catalog, sizes are expressed as MM for metric while imperial have a 3 digit designation. How can you tell the sizes?



First number indicates inch, and the following two numbers indicate an increment of 1/16". For example **2-206** would be a backup wrench with a 3/4" drive and an across flat of 2-6/16", which in turn is the same as 2-3/8".

PNEUMATIC NUTRUNNERS



LOOSENING



FAST NUT RUNDOWN



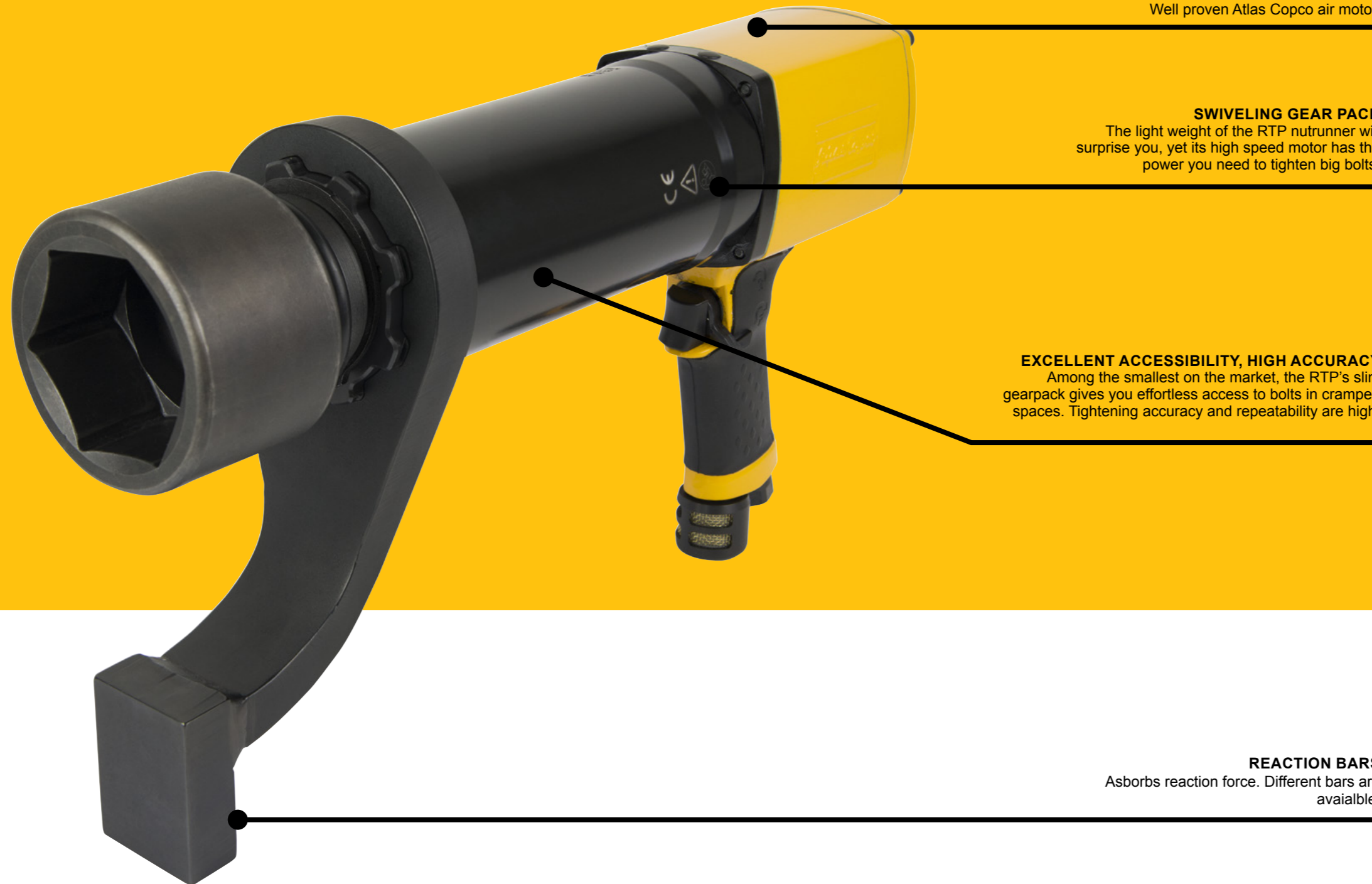
TIME-SAVINGS



RTP

HIGH TORQUE PNEUMATIC NUTRUNNER

Whatever your industry, if your operations include loosening or tightening heavy duty bolts, Atlas Copco's slim, lightweight RTP pneumatic nutrunner can help increase your productivity.



FAST AND ACCURATE

Well proven Atlas Copco air motor.

SWIVELING GEAR PACK

The light weight of the RTP nutrunner will surprise you, yet its high speed motor has the power you need to tighten big bolts.

EXCELLENT ACCESSIBILITY, HIGH ACCURACY

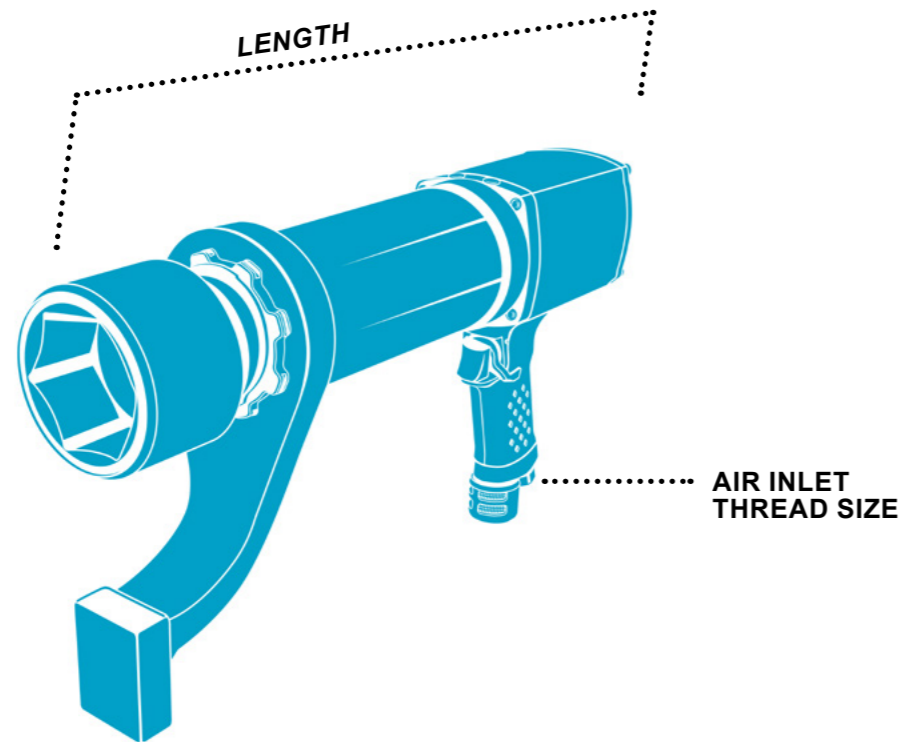
Among the smallest on the market, the RTP's slim gearpack gives you effortless access to bolts in cramped spaces. Tightening accuracy and repeatability are high.

REACTION BARS

Asborbs reaction force. Different bars are available.

RTP Series
Pneumatic Nutrunner Datasheet

RTP PNEUMATIC NUTRUNNER OVERVIEW



Model	Bolt Size mm	Square Drive in	Min Torque at 3 bar		Max Torque at 6.3 Bar		Free Speed r/min	Weight ^A		Length mm	Cs distance mm	Air Consumption at Free Speed		Rec. Hose Size mm	Air Inlet Thread in	Ordering No.
			Nm	ft lb	Nm	ft lb		kg	lb			l/s	cfm			
RTP1300-HR20	20-27	3/4	560	413	1300	1000	20	3.7	8.2	248	34	23	48.7	13	3/8	8431 1013 10
RTP4100-HR25	30-45	1	1850	1365	4100	3097	10	8.7	19.2	335	42	31	65.5	13	3/8	8431 1040 10

^AWeight excluding reaction bar.

RTP ACCESSORIES

ACCESSORIES INCLUDED

Model	Description	Ordering No.
RTP1300	Reaction Bar, S-Type	4210 4480 90
RTP4100	Reaction Bar, S-Type	4210 4480 93
RTP1300 / 4100	Nipple, Ergonip 10. M10, BSP	8202 1220 19
RTP1300 / 4100	Productivity Kit FRL Stand, BSP ^B	9090 3030 02

^BHose included

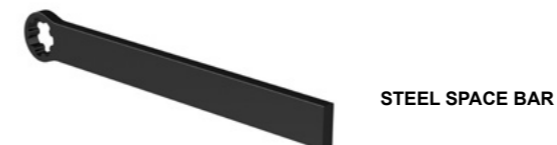
OPTIONAL ACCESSORIES

Model	Description	Ordering No.
RTP1300 / 4100	Multiflex Swivel 3/8 BSP	8202 1350 22
RTP1300 / 4100	Trigger Guard	4210 4759 90
RTP1300	Reaction Bar, Sliding-Drive	4210 4752 90
RTP1300	Reaction Bar, Steel Bar	4210 4757 90
RTP1300	Reaction Bar, Square Bracket	4210 4758 90
RTP4100	Reaction Bar, Sliding-Drive	4210 4752 91
RTP4100	Reaction Bar, Steel Bar	4210 4757 91
RTP4100	Reaction Bar, Square Bracket	4210 4758 91

NOTE: All reaction bars includes a snap ring

SERVICE KITS

Model	Description	Ordering No.
RTP1300	Gear / Motor Housing	4082 0125 90
RTP4100	Gear / Motor Housing	4082 0116 91
RTP1300	Gear / Motor / Motor Housing	4081 0510 90
RTP4100	Gear / Motor / Motor Housing	4081 0504 90



PRODUCTIVITY KIT
FRL STAND



TRIGGER GUARD



SQUARE BRACKET



MULTIFLEX SWIVEL



LTP AND LMP

PNEUMATIC NUTRUNNER

With the Atlas Copco LMP/LTP61 range of twin-motor pistol grip nutrunners you get the highest possible torque and speed in relation to the weight of the tool. Fast, accurate and highly user-friendly, the tools are available in reversible versions for maximum flexibility.



FAST AND ACCURATE

In LTP/LMP61 tools the twin motor concept provides extremely fast rundown with good torque accuracy, even on soft joints.

REVERSIBLE FOR MAXIMUM FLEXIBILITY

Being able to loosen fasteners without changing tools saves time and effort and raises productivity.

OPERATOR FRIENDLY

Our pistol grip nutrunners are comfortable to operate. The reaction bar eliminates reaction forces and the exhaust through the handle arrangement keeps noise levels low.

LMP/LTP Series
Pneumatic Nutrunner Web Site

LTP SHUT-OFF



Model	Bolt Size Mm	Square Drive In	Torque Range At 6.3 Bar		Min Torque At 3 Bar		Free Speed R/Min	Weight A		Length Mm	Cs Dis- tance Mm	Consump- tion At Free Speed		Inlet Thread In	Spline Type	Ordering No.
			Nm	ft lb	Nm	ft lb		kg	lb			l/s	cfm			
LTP61 H100-13	M12	1/2	55-100	40-75	45	35	1800	3	6.6	223	29	20	42	3/8	3	8431 0800 07
LTP61 H170-13	M14	1/2	95-170	70-125	70	50	1100	3	6.6	223	29	20	42	3/8	3	8431 0800 14
LTP61 H230-19	M16	3/4	125-230	90-170	85	60	820	3	6.6	223	29	20	42	3/8	3	8431 0800 21
LTP61 H350-20	M18	3/4	190-350	140-255	145	105	520	3.9	8.6	260	31	20	42	3/8	4	8431 0800 28
LTP61 H500-20	M20	3/4	275-500	200-370	220	160	360	3.9	8.6	260	31	20	42	3/8	4	8431 0800 35
LTP61 H700-25	M22	1	360-650	265-480	280	207	280	4.5	9.9	305	34	20	42	3/8	5	8431 0800 42
LTP61 H900-25	M24	1	480-870	350-640	300	220	210	4.5	9.9	282	32	20	42	3/8	5	8431 0800 49
LTP61 H1500-25	M30	1	850-1500	625-1100	700	516	115	6.8	14.5	323	42	20	42	3/8	9	8431 0800 56
Reversible																
LTP61 HR100-13	M12	1/2	55-100	40-75	45	35	1800	3	6.6	235	30	20	42	3/8	3	8431 0801 08
LTP61 HR170-13	M14	1/2	95-170	70-125	70	50	1100	3	6.6	238	30	20	42	3/8	3	8431 0801 15
LTP61 HR230-19	M16	3/4	125-230	90-170	85	60	820	3	6.6	275	34	20	42	3/8	3	8431 0801 22
LTP61 HR350-20	M18	3/4	190-350	140-255	145	105	520	3.9	8.6	275	34	20	42	3/8	4	8431 0801 29
LTP61 HR500-20	M20	3/4	275-500	200-370	220	160	360	3.9	8.6	275	34	20	42	3/8	4	8431 0801 36
LTP61 HR700-25	M22	1	360-650	265-480	280	207	280	4.5	9.9	305	34	20	42	3/8	5	8431 0801 43
LTP61 HR900-25	M24	1	480-870	350-640	300	220	210	4.5	9.9	305	34	20	42	3/8	5	8431 0801 50
LTP61 HR1500-25	M30	1	850-1500	625-1100	700	516	115	6.8	14.5	345	42	20	42	3/8	9	8431 0801 57
LTP61 HR1900-38	M30	1 1/2	1050-1900	770-1400	800	590	90	14.1	31	380	68	20	42	3/8	8	8431 0801 64

Model	Bolt Size Mm	Square Drive In	Torque Range At 6.3 Bar		Min Torque At 3 Bar		Free Speed R/Min	Weight A		Length Mm	Cs Dis- tance Mm	Consump- tion At Free Speed		Inlet Thread In	Spline Type	Ordering No.
			Nm	ft lb	Nm	ft lb		kg	lb			l/s	cfm			
LTP61 HR100-13-MT	M12	1/2	55-100	40-75	45	35	1800	3.3	7.3	288	30	20	42	3/8	3	8431 0806 02
LTP61 HR170-13-MT	M14	1/2	95-170	70-125	70	50	1100	3.3	7.3	288	30	20	42	3/8	3	8431 0806 09
LTP61 HR230-19-MT	M16	3/4	125-230	90-170	85	60	820	3.3	7.3	288	34	20	42	3/8	3	8431 0806 16
LTP61 HR350-20-MT	M18	3/4	190-350	140-255	145	105	520	4.2	9.2	325	34	20	42	3/8	4	8431 0806 23
LTP61 HR500-20-MT	M20	3/4	275-500	200-370	220	160	360	4.2	9.2	325	34	20	42	3/8	4	8431 0806 30
LTP61 HR700-25-MT	M22	1	360-650	265-480	280	207	280	4.8	10.6	355	34	20	42	3/8	5	8431 0806 33
LTP61 HR900-25-MT	M24	1	480-870	350-640	300	220	210	4.8	10.6	355	34	20	42	3/8	5	8431 0806 37
LTP61 HR1500-25-MT	M30	1	850-1500	625-1100	700	516	115	7.1	15.6	395	42	20	42	3/8	9	8431 0806 44
LTP61 PH100-13	M12	1/2	60-110	45-80	45	33	700	3	6.6	223	34	20	42	3/8	3	8431 0807 04
LTP61 PH170-13	M14	1/2	100-180	75-135	70	52	440	3	6.6	223	34	20	42	3/8	3	8431 0807 12
LTP61 PH230-19	M16	3/4	130-240	95-180	90	66	320	3	6.6	223	34	20	42	3/8	3	8431 0807 17
LTP61 PH350-20	M18	3/4	210-370	155-275	150	110	200	3.9	8.6	260	34	20	42	3/8	4	8431 0807 24
LTP61 PH500-20	M20	3/4	300-520	220-380	200	150	140	3.9	8.6	260	34	20	42	3/8	4	8431 0807 31
LTP61 PH700-25	M22	1	400-680	295-500	280	205	100	4.5	9.9	305	34	20	42	3/8	5	8431 0807 38
LTP61 PH900-25	M24	1	500-900	370-665	350	260	80	4.5	9.9	282	34	20	42	3/8	5	8431 0807 41
LTP61 PH1500-25	M30	1	900-1600	665-1180	650	480	45	6.8	14.9	323	42	20	42	3/8	9	8431 0807 52
Reversible																
LTP61 PHR700-25	M22	1	400-680	295-500	280	205	100	4.5	9.9	305	34	20	42	3/8	5	8431 0807 55
LTP61 PHR900-25	M24	1	500-900	370-665	350	260	80	4.5	9.9	305	34	20	42	3/8	5	8431 0807 62
LTP61 PHR1500-25	M30	1	900-1600	665-1180	650	480	45	6.8	14.9	345	42	20	42	3/8	9	8431 0807 68
Reversible with Multi Torque unit																
LTP61 PHR900-25-MT	M24	1	500-900	370-665	350	260	80	4.8	10.6	305	34	20	42	3/8	5	8431 0807 81

^aWithout reaction bar.
Recommended hose size: 13 mm.

NOTE: Change over torque is around 4% of maximum torque on a given air pressure.

LMP NON-SHUTOFF



Model	Bolt Size mm	Square Drive in	Max Torque At 6.3 Bar		Min Torque At 3 Bar		Free Speed r/min	Weight ^A		Length mm	CS Dis- tance mm	Air Con- sumption at Free Speed		Air inlet thread in	Spline Type	Ordering No.
			Nm	ft lb	Nm	ft lb		kg	lb			l/s	cfm			
Non-reversible																
LMP61 H100-13	M12	1/2	100	75	60	45	2200	3.0	6.6	223	29	20	42	3/8	3	8431 0803 05
LMP61 H170-13	M14	1/2	170	125	100	75	1400	3.0	6.6	223	29	20	42	3/8	3	8431 0803 12
LMP61 H230-19	M16	3/4	230	170	130	95	1000	3.0	6.6	223	29	20	42	3/8	3	8431 0803 19
LMP61 H350-20	M18	3/4	350	260	200	145	650	3.9	8.6	260	31	20	42	3/8	4	8431 0803 26
LMP61 H500-20	M20	3/4	500	370	300	220	450	3.9	8.6	260	31	20	42	3/8	4	8431 0803 33
LMP61 H700-25	M22	1	700	520	400	295	350	4.5	9.9	305	34	20	42	3/8	5	8431 0803 40
LMP61 H900-25	M24	1	900	665	500	365	260	4.5	9.9	282	34	20	42	3/8	5	8431 0803 47
Reversible																
LMP61 HR100-13	M12	1/2	100	75	60	45	2200	3.0	6.6	235	30	20	42	3/8	3	8431 0804 04
LMP61 HR170-13	M14	1/2	170	125	100	75	1400	3.0	6.6	238	30	20	42	3/8	3	8431 0804 11
LMP61 HR230-19	M16	3/4	230	170	130	95	1000	3.0	6.6	275	34	20	42	3/8	3	8431 0804 18
LMP61 HR350-20	M18	3/4	350	260	200	145	650	3.9	8.6	275	34	20	42	3/8	4	8431 0804 25
LMP61 HR500-20	M20	3/4	500	370	300	220	450	3.9	8.6	320	35	21	42	3/8	4	8431 0804 32
LMP61 HR700-25	M22	1	700	520	400	295	350	4.5	9.9	305	34	20	42	3/8	5	8431 0804 39
LMP61 HR900-25	M24	1	900	665	500	365	260	4.5	9.9	305	34	20	42	3/8	5	8431 0804 46
LMP61 HR1500-25	M30	1	1600	1180	900	660	140	6.8	14.9	345	42	20	42	3/8	9	8431 0804 53

^a Weight excluding reaction bar.
Recommended hose size 13 mm for hose length
up to 5 m.

NOTE: Change over torque is around 4% of maximum torque on a given air pressure.

LMP AND LTP PRODUCTIVITY KITS

Model	Max air flow	Hose, 5 m	Coupling	Lubrication	Ordering No.
For small nutrunners with 3/8" BSP air inlet					
MIDI Optimizer F/RD EQ08-C10	16 l/s	Cablaire 10 mm	ErgoQIC 08	Yes	8202 0850 07
For small nutrunners with 1/4" BSP air inlet					
MIDI Optimizer F/RD EQ08-C10	16 l/s	Cablaire 10 mm	ErgoQIC 08	Yes	8202 0850 03
MIDI Optimizer F/RD EQ10-R10	16 l/s	Rubair 10 mm	ErgoQIC 10	Yes	8202 0850 16
For nutrunners with 3/8" BSP air inlet					
MIDI Optimizer F/RD EQ10-C13	23 l/s	Cablaire 13 mm	ErgoQIC 10	Yes	8202 0850 02
For nutrunners with 1/4" BSP air inlet					
MIDI Optimizer F/RD EQ10-C13-1/4	23 l/s	Cablaire 13 mm	ErgoQIC 10	Yes	8202 0850 11
For nutrunners with 3/8" BSP air inlet					
MIDI Optimizer F/RD EQ10-T13	35 l/s	Turbo 13 mm	ErgoQIC 10	Yes	8202 0850 17
For nutrunners with 1/2" BSP air inlet					
MIDI Optimizer F/R EQ10-T13	35 l/s	Turbo 13 mm	ErgoQIC 10	No	8202 0850 04
MIDI Optimizer F/RD EQ10-T13	35 l/s	Turbo 13 mm	ErgoQIC 10	Yes	8202 0850 13

LMP AND LTP ACCESSORIES

For LMP/LTP61

Model	Ordering No.
Hose nipple	9000 0242 00
Exhaust hose	4210 2201 00
Protective cover	
Standard LTP61	4210 4672 00
LTP 61 with MT unit	4210 4672 01
Multi torque selector LTP61	4210 4636 95
Quick change retainer	
- 1/2" square models	4250 1190 00
- 3/4" square models	4210 3476 80
- 1" square models	4210 3524 80
Shut-off override for LTP61	4210 3545 80
Swivelling type MultiFlex connector 3/8" (BSP)	8202 1350 22
Swivelling type MultiFlex connector 3/8" (NPT)	8202 1350 28



Multi torque selector LTP61



Protective cover

Swivelling suspension yoke LMP/LTP61

Model	Ordering No.	Model	Ordering No.
Mounting dia Ø 54 mm			
PH/H 100-13	4210 3088 80	Mounting dia Ø 63.5 mm	4210 3088 83
PH/H 170-13			
PH/H 230-19			
PH/H 350-20			
PH/H 500-20		Mounting dia Ø 67 mm	4210 3088 82
PH/H 700-25			
PH/H 900-25			
Mounting dia Ø 60 mm			
HR 100-13	4210 3088 84	HR 1900-38	4210 3088 85
HR 170-13			
HR 230-19			

Model	Ordering No.
Mounting dia Ø 83.5 mm	
PH/H 1500-25	4210 3088 81
PHR/HR 1500-25	

LMP AND LTP REACTION ARMS

Spline Diameter mm	L/W/H	CC Distance mm	Ordering No.
Steel bar			
Spline 1	268/36/18		4210 1798 01
Spline 2	270/35/10		4220 1903 00
Spline 3	400/56/12		4210 2219 80
Spline 4	500/62/15		4210 2183 80
Spline 5	500/62/15		4210 2726 80
Spline 6	560/80/15		4220 1200 01
Spline 7	500/100/20		4210 3899 02
Spline 8	500/150/20		4210 3899 03
Spline 9	500/85/20		4210 3899 80
Ø 26 mm	270/34/8		4220 3491 00
Square steel bracket			
Spline 3	100/50/12		4210 2219 03
Spline 4	125/65/16		4210 2183 01
Spline 5	125/65/16		4210 2726 01
Spline 6	200/100/15		4220 1200 00
Spline 7	250/150/20		4220 1445 00
Spline 8	250/160/20		4220 1972 91
Spline 9	150/85/20		4210 3899 01
Ø 24 mm	100/60/8		4220 1029 00
Ø 26 mm	100/60/8		4220 1029 02
Ø 28 mm	100/60/8		4220 1029 01
Triangular steel bracket			
Spline 2	73/72/14		4220 2137 02
Spline 3	82/80/15		4220 2137 03
Spline 6	112/109/15		4220 2137 06
Spline 6	150/145/20		4220 2137 16
S-Type reaction bar			
Spline 3	110/18/12		4210 4480 03
Spline 4	120/22/15		4210 4480 04
Spline 5	130/25/15		4210 4480 05
Spline 6	125/25/15		4210 4480 06
Spline 7	170/40/20		4210 4480 07
Spline 8	200/65/20		4210 4480 08
Spline 9	160/40/20		4210 4480 09
L-Type aluminum bar			
Spline 3	266x300/29/15		4210 2219 08
Spline 4	144x150/42/15		4210 2183 08
Bracket stepped			
Spline 1	70/36/13		4210 1798 02
Spline 2	70/41/14		4210 2134 02
Straight aluminum bar			
Spline 3	L = 400		4210 2219 01

Steel bar

Square steel bracket

Triangular steel bracket

Sliding drive reaction bar

S-Type reaction bar

L-Type aluminum bar

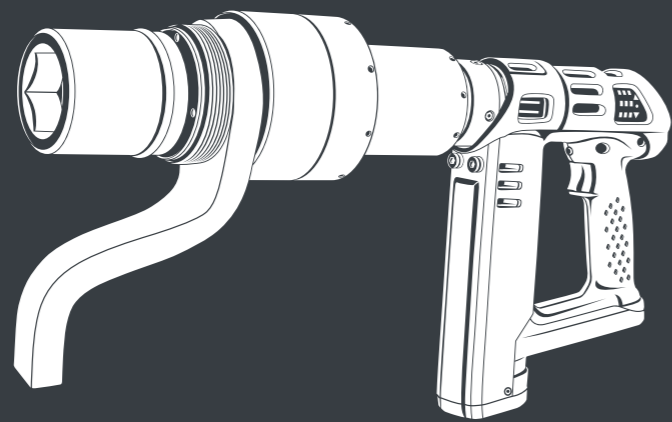
Straight aluminum bar

Extended sliding drive reaction bar

Extended sliding tube reaction bar

Bracket stepped

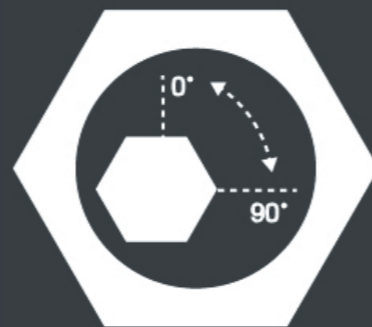
ELECTRIC TRANSDUCERIZED NUTRUNNER



***OPERATOR
FEEDBACK***



TRACEABILITY



TORQUE AND ANGLE



TENSOR REVO

ELECTRIC TRANSDUCERIZED NUTRUNNER

Smarter, lighter and faster, the new electric pistol nutrunner Tensor Revo offers high torque tightening in a hand held package. Meet the market's first and only transducerized handheld nutrunner with 360° swivel capability.

INTERCHANGEABLE REACTION

The swivelling front part increases usability and enables faster and easier positioning on the bolt head.

360° TRANSDUCERIZED TOOL

The swivelling front part increases usability and enables faster and easier positioning on the bolt head.

OPTIONAL TWO-HANDED START

Operator handle for two-handed start (optional)

OPERATOR FEEDBACK

Multiple LEDs, Results Display and Program Selector gives direct feedback of tightening result

TENSOR MOTOR

Fast and strong Tensor motor for maximum speed

EASY CONNECTION

Connects to controller via quick-connecting cord.

Tensor Revo
Electric Nutrunner Datasheet

REVO TECHNICAL DATA

Model with fan	Square Drive	Torque Range	Speed	Weight	Length		mm	mm	Spline	Ordering No.
	in				Nm	ft lb				
ETP ST101-200-20-F	3/4	60 - 200	45 - 145	396	5.2	11.5	303	32.5	3	8433 2302 02
ETP ST101-300-20-F	3/4	90 - 300	66 - 221	293	5.2	11.5	303	32.5	3	8433 2303 02
ETP ST101-500-20-F	3/4	150 - 500	110 - 365	186	5.9	13	334	33.5	4	8433 2305 02
ETP ST101-750-25-F	1	220 - 750	160 - 550	132	6.2	13.7	353	33.5	5	8433 2307 52
ETP ST101-1000-25-F	1	300 - 1000	220 - 735	99	6.4	14.1	364	33.5	5	8433 2310 02
ETP ST101-1500-25-F	1	450 - 1500	332 - 1106	47	8.8	19.4	402	43.5	9	8433 2321 52
ETP ST101-2000-38-F	1 1/2	600 - 2000	442 - 1475	38	11.5	25.4	454	48	7	8433 2322 02
ETP ST101-3000-38-F	1 1/2	900 - 3000	664 - 2212	24	14.8	33	476	59	8	8433 2323 02
ETP ST101-4000-38-F	1 1/2	1200 - 4000	885 - 2950	20	15	33	481	59	8	8433 2324 02

Support handle and tool protective cover are included with tool delivery. Reaction bars are not included with tool. For all models in the table declared noise and vibration emissions according to ISO 15744 and ISO 28927-2 are: sound pressure level <70 dB(A) and vibrations <2.5 m/s².



TENSOR REVO 2000 Nm



TENSOR REVO -with support handle

Reaction bars (optional)

Tool Model	Bar	Square Bracket	L-Type Aluminium Bar	Sliding Drive, Short	Sliding Drive, Long	S Type	Ext. Sliding Drive – Spring Loaded	
				(cc in mm) Drive Size	(cc in Mm) Drive Size		cc 68 – 112 mm	cc 68 – 112 mm
ETP ST101-200 20-F	4210 2219 80	4210 2219 03	4210 2219 08	4210 4481 63, (70-120) 3/4"	4210 4616 83, (82-218) 1/2"	4210 4480 03	-	-
ETP ST101-300 20-F	4210 2219 80	4210 2219 03	-	4210 4481 63, (70-120) 3/4"	4210 4616 83, (82-218) 1/2"	4210 4480 03	-	-
ETP ST101-200 20-F	-	-	-	-	4210 4616 63, (82-218) 3/4**	-	-	-
ETP ST101-300 20-F	-	-	-	-	4210 4616 63, (82-218) 3/4**	-	-	-
ETP ST101-500 20-F	4210 2183 80	4210 2183 01	4210 2183 08	4210 4481 84, (76-126) 3/4"	4210 4616 84, (82-218) 3/4"	4210 4480 04	-	-
ETP ST101-750 25-F	4210 2726 80	4210 2726 01	-	4210 4481 85, (80-125) 1"	4210 4616 85, (82-218) 1"	4210 4480 05	4210 4498 80	4210 4498 82
ETP ST101-1000 25-F	4210 2726 80	4210 2726 01	-	4210 4481 85, (80-125) 1"	4210 4616 85, (82-218) 1"	4210 4480 05	4210 4498 80	4210 4498 82
ETP ST101-1500-25-F	4210 3899 80	4210 3899 01	-	4210 4481 89, (80-130) 1"	4210 4616 89, (80-280) 1"	4210 4480 09	-	-
ETP ST101-2000-38-F	4210 3899 02	4220 1445 00	-	-	-	4210 4480 07	-	-
ETP ST101-3000-38-F	4210 3899 03	4220 1972 91	-	-	-	4210 4480 08	-	-
ETP ST101-4000-38-F	4210 3899 03	4220 1972 91	-	-	-	4210 4480 08	-	-

*Recommended 3/4" drive for ETP ST 101-300

REVO ACCESSORIES

Accessories

Designation	Ordering No.
Tool accessories	
ST barcode scanner	8433 0615 50
Protective cover for ST scanner	4220 2762 10
Suspension yoke adjustable ST101 200-1000	4220 4075 90
Suspension yoke adjustable (with ST scanner)	4220 4075 91
Swiveling suspension yoke ST101 750-2000	4210 3088 87
Swiveling suspension yoke ST101 3000-4000	4210 3088 81
Tool protective cover (included)	4220 4299 00
Support handle, ST101 200-500 (included)	4220 4001 84
Support handle, ST101 750-4000 (included)	4220 4001 83
Adjustable operator handle with trigger	4220 4522 82
Fan module	4220 4417 90
Quick change socket release kit 3/4"	4210 3476 80
Quick change socket release kit 1"	4210 3524 80
Telescopic front 25mm, ST101 200	4220 4592 90
Telescopic front 40mm, ST101 500	4210 3781 81
Telescopic front 50mm, ST101 750-1000	4210 3788 80
Telescopic front 50mm ST101 1500	4210 3788 81
Quick change nut for reaction bar, spline 5	4210 2725 87
Quick change nut for reaction bar, spline 4	4210 2182 87
Cable protection	4220 2977 90
Error proofing modules	
Stacklight ESL04	8433 0570 13
Operator panel advanced	8433 0565 00
Selector, large sockets	8433 0610 44
ComNode 2 Touch, ATS 10 spindles	8433 2711 11
MaxiDisplay 3 (19")	8435 3070 20

For additional accessories, cable/controller configurations and software, see Atlas Copco Industrial Power Tools catalogue.

Controller Hardware & Software

Designation	Ordering No.
Controller hardware	
Power Focus 4000-Graph W10	8433 7100 00
Power Focus 4000-Compact W10	8433 7100 05
Controller software	
RBU-Bronze	8433 0010 10
RBU-Silver	8433 0015 20
RBU-Gold	8433 0020 20
Tools Talk Power Focus W10, 1-user license	8092 1190 01

Tool cables

Designation	Ordering No.
ST cable, 5m	4220 2636 05
ST cable, 10m	4220 2636 10
ST cable, 15m	4220 2636 15

Quick change for reaction bar



Swiveling suspension yoke (gear mounted)



Telescopic front



Suspension yoke adjustable (motor mounted)



Large socket selector



MaxiDisplay 3 (19")



Power Focus 4000 Graph



Stacklight

CONTROLLERS AND SOFTWARE FOR TENSOR REVO

Advanced process control and monitoring functions

Power Focus is a modular range of controllers, with full flexibility, designed for applications ranging from single spindle hand-held operations to fixtured multiple nutrunning systems. Advanced process control and monitoring functions make it easy to view and collect data using the Internet infrastructure.

- Choose your controller – either Graph or Compact.
- Choose your RBU software key to run a tool.
- Choose from various ways to use the controller, as a stand-alone or in a network.
- Run many different kinds of tool, standard, FS, crowfoot or open tools.
- Realtime statistics analysis.
- Error-proofing solution.
- Advanced tightening control and/or monitoring method.
- Trace view.
- Logic configurator.
- Can handle different level of communication.

The Power Focus 4000 is available in two versions, Compact and Graph. The difference between them is the user interface, where the Graph features the color display and a full keyboard.

Compact

This version offers full functionality at a lower cost, but requires a PC with the ToolsTalk PF software for process set-up.

Graph

With the Graph hardware, you have full stand-alone programming possibilities. When networked, the Graph can function as a programming terminal for other Power Focus units.

RBU cuts downtime

Atlas Copco's patented Rapid Backup Unit (RBU) concept transfers functionality to a non-configured hardware unit, ensuring that hardware can easily be upgraded should functionality requirements change. The RBU also acts as back-up for programming and configuration. If a change of hardware is required, just fit the RBU to the new hardware, switch on the unit and you're ready. All programming and network configurations are transferred in seconds. The RBU cuts downtime to a minimum.



Power Focus 4000 for Tensor DS, ST, SR, STR, STB and ETX

Model	Ordering No.
Power Focus 4000 W 10	
PF 4000-G-HW	8433 7100 00
PF 4000-C-HW	8433 7100 05
PF 4000-G-DN- HW	8433 7140 00
PF 4000-C-DN-HW	8433 7140 05
PF 4000-G-FLN-HW	8433 7141 00
PF 4000-C-FLN-HW	8433 7141 05
PF 4000-G-PB-HW	8433 7142 00
PF 4000-C-PB-HW	8433 7142 05
PF 4000-G-CC-HW	8433 7143 00
PF 4000-C-CC-HW	8433 7143 05
PF 4000-G-IB-HW	8433 7145 00
PF 4000-C-IB-HW	8433 7145 05
PF 4000-G-MB-HW	8433 7147 00
PF 4000-C-MB-HW	8433 7147 05
PF 4000-G-PN-HW	8433 7148 00
PF 4000-C-PN-HW	8433 7148 05
PF 4000-G-EIP-HW	8433 7149 00
PF 4000-C-EIP-HW	8433 7149 05

Controller functionality

Hardware key	Ordering No.
RBU-Bronze	8433 0010 10
RBU-Silver	8433 0015 20
RBU-Gold	8433 0020 20
RBU-DS	8433 0005 10
RBU-X	8433 0080 20



RBU

Power Focus 4002 for Tensor SL

Model	Ordering No.
Power Focus 4002 W 07	
PF 4002-G-HW	8433 3100 00
PF 4002-C-HW	8433 3100 05
PF 4002-G-DN-HW	8433 3140 00
PF 4002-C-DN-HW	8433 3140 05
PF 4002-G-PB-HW	8433 3142 00
PF 4002-C-PB-HW	8433 3142 05
PF 4002-G-IB-HW	8433 3145 00
PF 4002-C-IB-HW	8433 3145 05
PF 4002-G-MB-HW	8433 3147 00
PF 4002-C-MB-HW	8433 3147 05
PF 4002-G-PN-HW	8433 3148 00
PF 4002-C-PN-HW	8433 3148 05
PF 4002-G-EIP-HW	8433 3149 00
PF 4002-C-EIP-HW	8433 3149 05

IRC Focus for STwrench and Tensor STB

Model	Ordering No.
IRC Focus W 10	
IRC FOCUS-B-G-HW	8433 6500 00
IRC FOCUS-B-C-HW	8433 6500 02
IRC FOCUS-B-G-DN-HW	8433 6500 04
IRC FOCUS-B-C-DN-HW	8433 6500 06
IRC FOCUS-B-G-FLN-HW	8433 6500 08
IRC FOCUS-B-C-FLN-HW	8433 6500 10
IRC FOCUS-B-G-PB-HW	8433 6500 12
IRC FOCUS-B-C-PB-HW	8433 6500 14
IRC FOCUS-B-G-IB-HW	8433 6500 16
IRC FOCUS-B-C-IB-HW	8433 6500 18
IRC FOCUS-B-G-MB-HW	8433 6500 20
IRC FOCUS-B-C-MB-HW	8433 6500 22
IRC FOCUS-B-G-PN-HW	8433 6500 24
IRC FOCUS-B-C-PN-HW	8433 6500 26
IRC FOCUS-B-G-EIP-HW	8433 6500 28
IRC FOCUS-B-C-EIP-HW	8433 6500 30

CONTROLLERS AND SOFTWARE FOR TENSOR REVO

ToolsTalk PF

ToolsTalk PF provides tightening parameter set-up, fieldbus and Logic Configurator set-up, plus customized reporting and presentation of statistics. With a simple click, results can be exported into other commercial file formats.

ToolsTalk communicates with the PowerFocus via Ethernet, USB or serial RS232. If you are networking from your office desk, ToolsTalk PF allows for quickest access to the different control units connected.

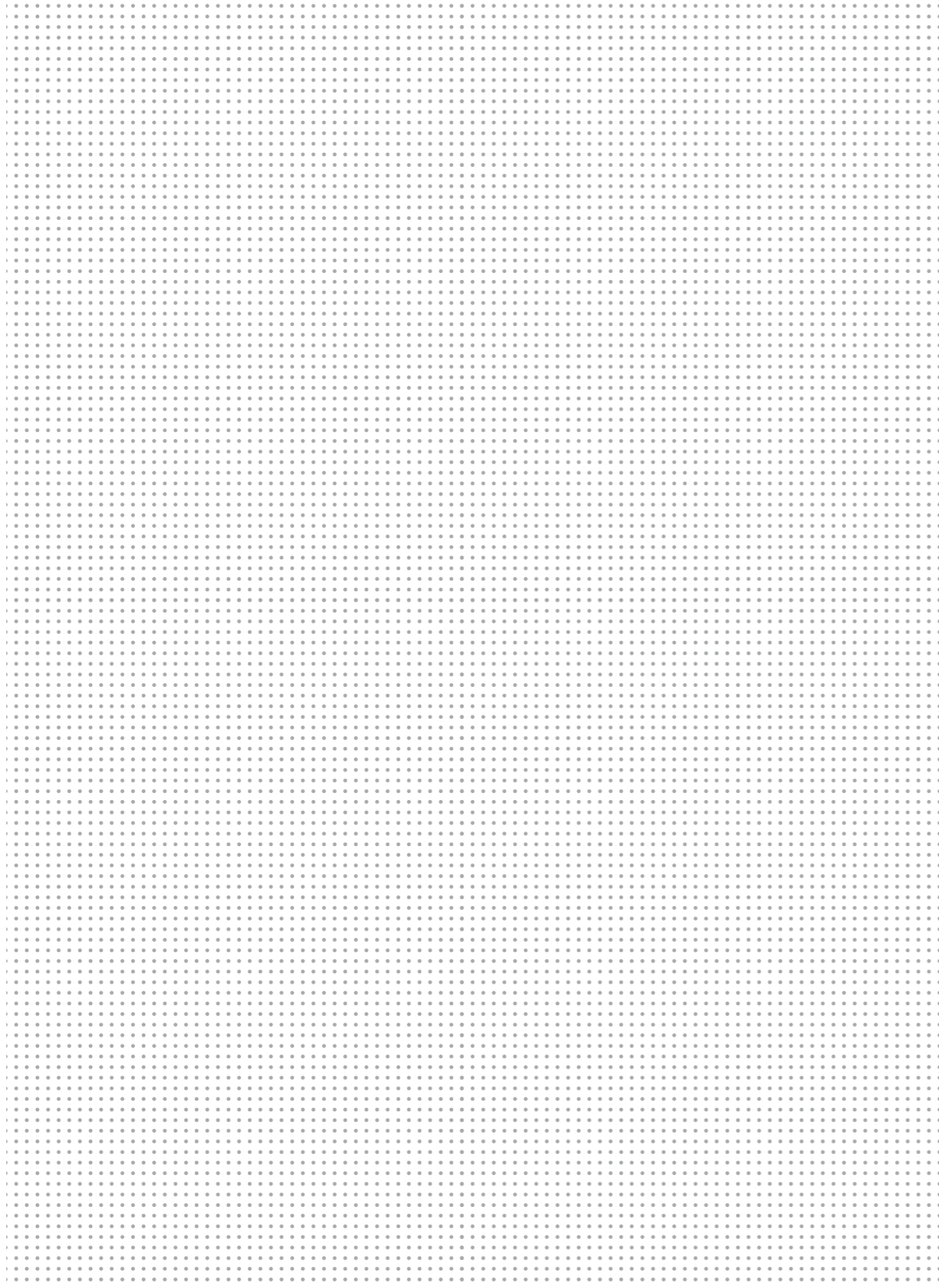
Model	Ordering No.
ToolsTalk PF W10	
1-user license	8092 1190 01
5-user license	8092 1190 05
10-user license	8092 1190 10
Plant license	8092 1190 99



ToolsTalk PF Functionality

General			
Functionality Level of RBU	Bronze	Silver	Gold
Serial connection	x	x	x
Off line programming	x	x	x
Real time analysis	x	x	x
Tightening database to PC (Excel)	x	x	x
Tightening simulation	x	x	x
Operator monitor	x	x	x
Picture monitor	x	x	x
Fieldbus quick set-up		x	x
Job monitor		x	x
Bar code reader configuration		x	x
Ethernet connection		x	x
Remote programming		x	x
View tightening traces	x	x	x
Overlay traces	x	x	x
Logic Configurator (PF 4000 only)	x	x	x
Multiple identifiers		x	x
Tensor ST sound files		x	x

NOTES





COMMITTED TO SUSTAINABLE PRODUCTIVITY

We stand by our responsibilities towards our customers, towards the environment and the people around us. We make performance stand the test of time. This is what we call - Sustainable Productivity.

www.bolttighteningsolutions.com

Atlas Copco